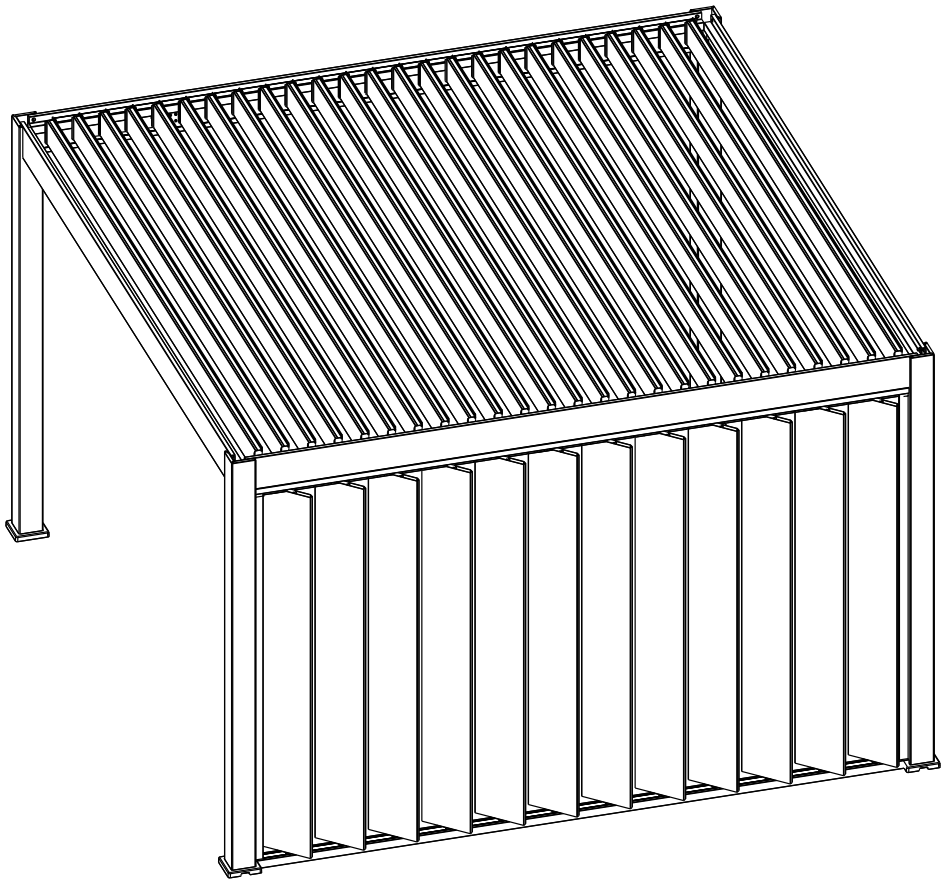




**VENTARIS**  
MY HAPPY HOME  
[www.ventaris.ch](http://www.ventaris.ch)

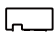







# Lamellenseitenwand vertikal verstellbar

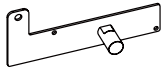
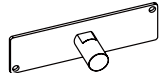







# PARTS LISTS (PER CARTON)



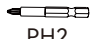

## 2.65M




### 1/3

No.	Profile	Diagram	Size	QTY
A			75X35 L=2484mm	1
B			75X50 L=2484mm	1
C			50X57 L=2279mm	2
F			27X8 L=2140mm	1

No.	Diagram	QTY
K1		8
K2		8
W1	 3.9x25	5
W2	 4x16 PH2	32
T2		18

No.	Diagram	QTY
UO	 lock nut	8
UO-1	 plastic nut	8



No.	Diagram	QTY
W8	 5x19 8mm	8
W9	 8mm	1
T5	 PH2	1
T3	 8x100	6

No.	Diagram	QTY
VO		16
XO-2	 6x20 4mm	11
ZO-5	 10mm	1



# PARTS LISTS (PER CARTON)

## 2.65M

### 2/3









No.	Profile	Diagram	Size	QTY
G			299X30 L=2245mm	4

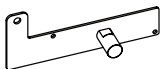




### 3/3



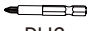

No.	Profile	Diagram	Size	QTY
G			299X30 L=2245mm	4



# PARTS LISTS (PER CARTON)




**3M**  
**1/3**

No.	Profile	Diagram	Size	QTY
A			75X35 L=2790mm	1
B			75X50 L=2790mm	1
C			50X57 L=2279mm	2
F			27X8 L=2442mm	1

REF	PICTURE	QTY
K1		9
K2		9
W1	 3.9x25	5
W2	 4x16 PH2	36
T2		18



REF	PICTURE	QTY
W8	 5x19 8mm	8
W9	 8mm	1
T5	 PH2	1
T3	 8x100	6

No.	Diagram	QTY
UO	 lock nut	9
UO-1	 plastic nut	9



No.	Diagram	QTY
VO		18
XO-2	 6x20 4mm	9
ZO-5	 10mm	1

# PARTS LISTS (PER CARTON)

**3M**  
**2/3**

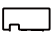







No.	Profile	Diagram	Size	QTY
G			299X30 L=2245mm	4

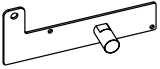
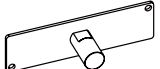
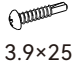


**3/3**



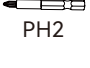

No.	Profile	Diagram	Size	QTY
G			299X30 L=2245mm	5



# PARTS LISTS (PER CARTON)




## 3.6M 1/3

No.	Profile	Diagram	Size	QTY
A			75X35 L=3399mm	1
B			75X50 L=3399mm	1
C			50X57 L=2279mm	2
F			27X8 L=3046mm	1

REF	PICTURE	QTY
K1		11
K2		11
W1		5
W2		44
T2		18

REF	PICTURE	QTY
W8		8
W9		1
T5		1
T3		10



No.	Diagram	QTY
UO	 lock nut	11
UO-1	 plastic nut	11

No.	Diagram	QTY
VO		22
XO-2		11
ZO-5		1



# PARTS LISTS (PER CARTON)

## 3.6M

### 2/3

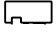







No.	Profile	Diagram	Size	QTY
G			299X30 L=2245mm	5

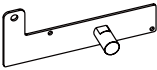
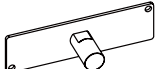



### 3/3





No.	Profile	Diagram	Size	QTY
G			299X30 L=2245mm	6



# PARTS LISTS (PER CARTON)




## 4M

No.	Profile	Diagram	Size	QTY
A			75X35 L=3705mm	1
B			75X50 L=3705mm	1
C			50X57 L=2279mm	2
F			27X8 L=3348mm	1

REF	PICTURE	QTY
K1		12
K2		12
W1	 3.9x25	5
W2	 4x16 PH2	52
T2		18


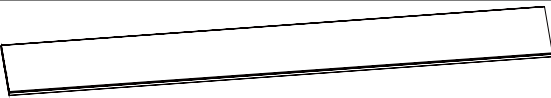
REF	PICTURE	QTY
W8	 5x19 8mm	8
W9	 8mm	1
T5	 PH2	1
T3	 8x100	10

No.	Diagram	QTY
UO	 lock nut	13
UO-1	 plastic nut	13


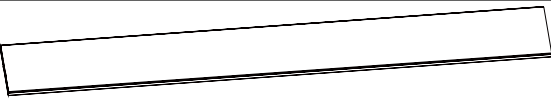
No.	Diagram	QTY
VO		26
XO-2	 6x20 4mm	13
ZO-5	 10mm	1

# PARTS LISTS (PER CARTON)

**4M**  
**2/3**

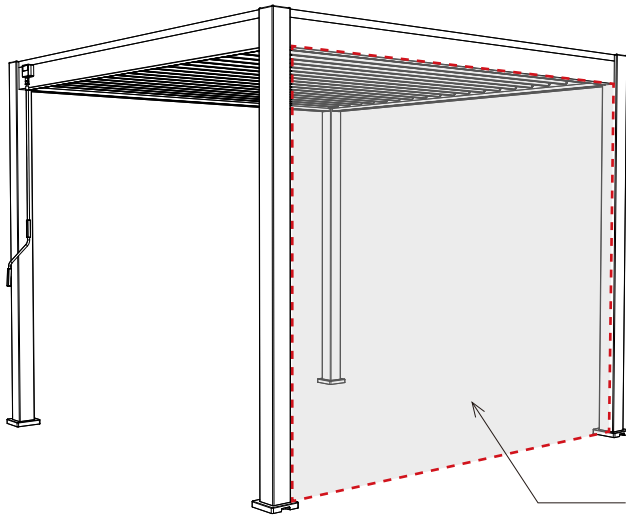
No.	Profile	Diagram	Size	QTY
G			299X30 L=2245mm	6

**3/3**

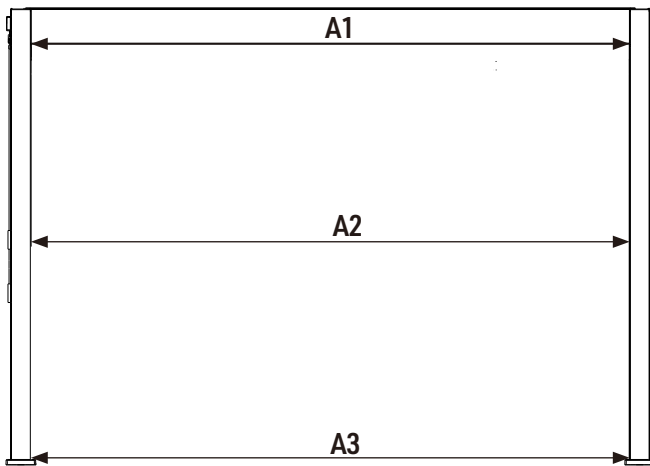
No.	Profile	Diagram	Size	QTY
G			299X30 L=2245mm	6

Before installation, please make sure the dimension should be correct as the diagram shows below, namely,  $A1=A2=A3$  and  $AX=BX$ .

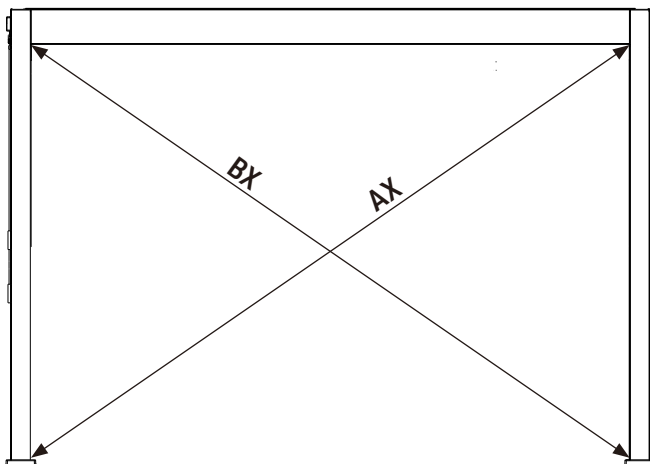
Please do not install if the dimension is incorrect. Please adjust the finished size before installing.



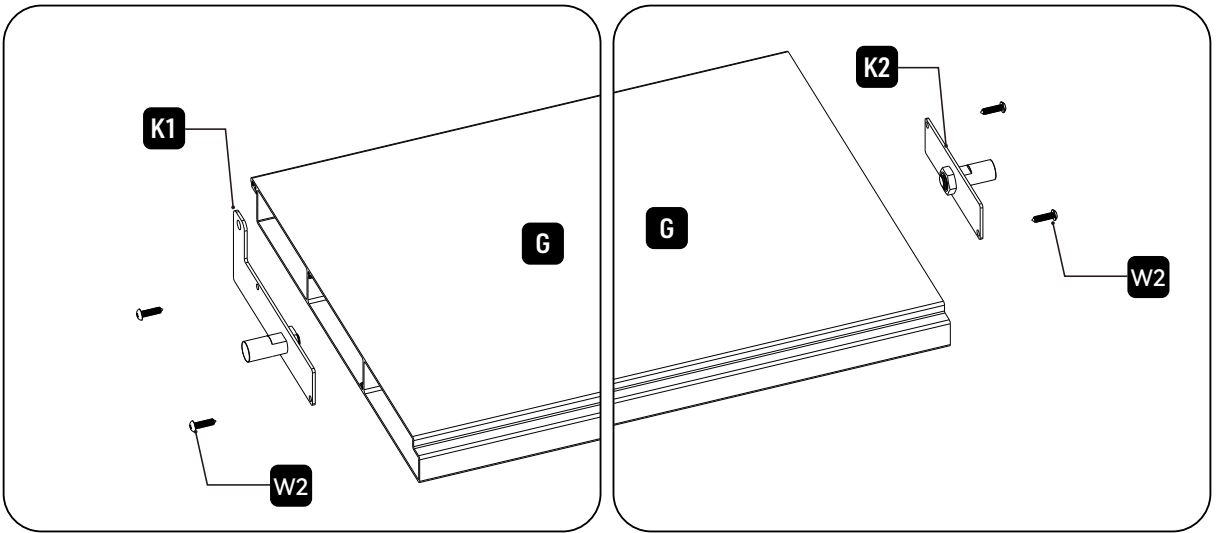
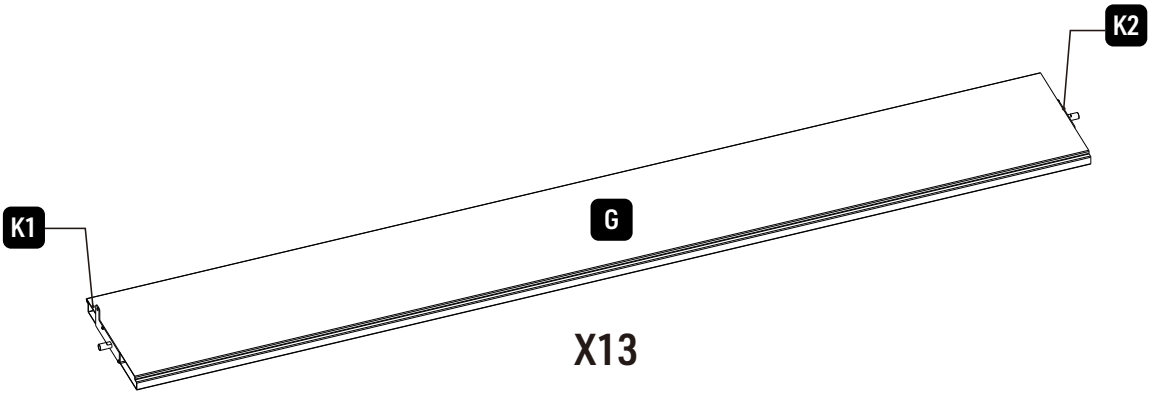
Please choose which face to install

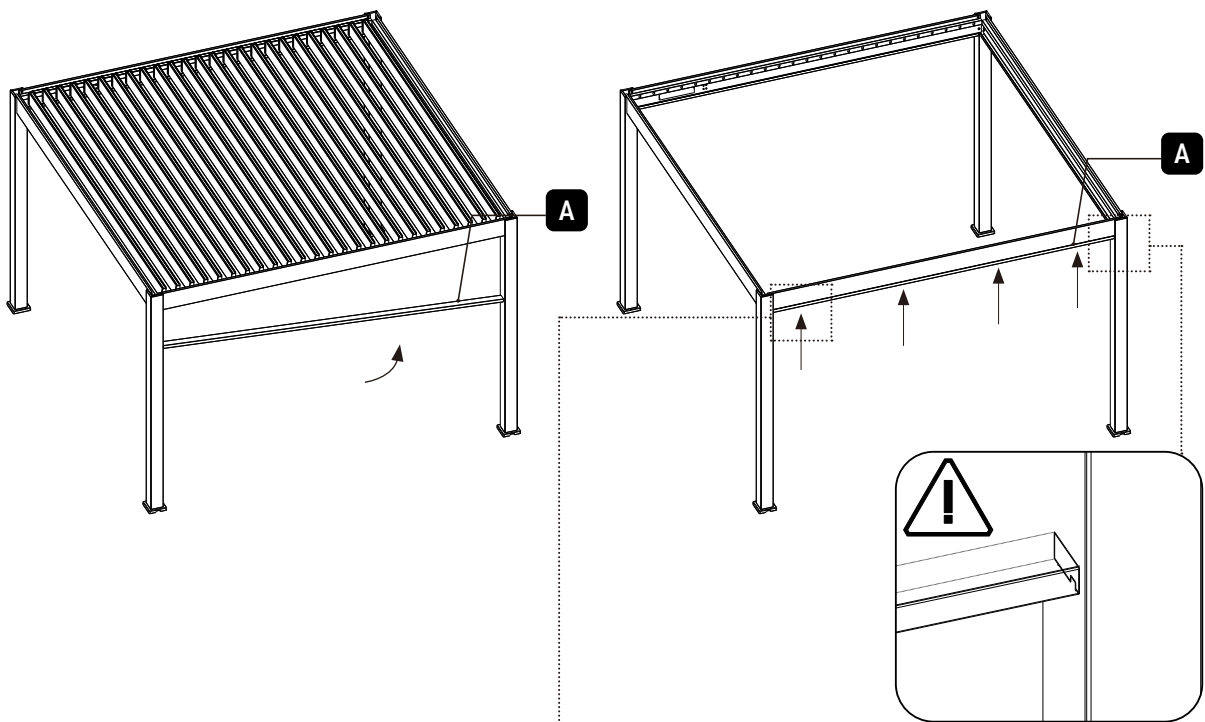


$$A1=A2=A3$$

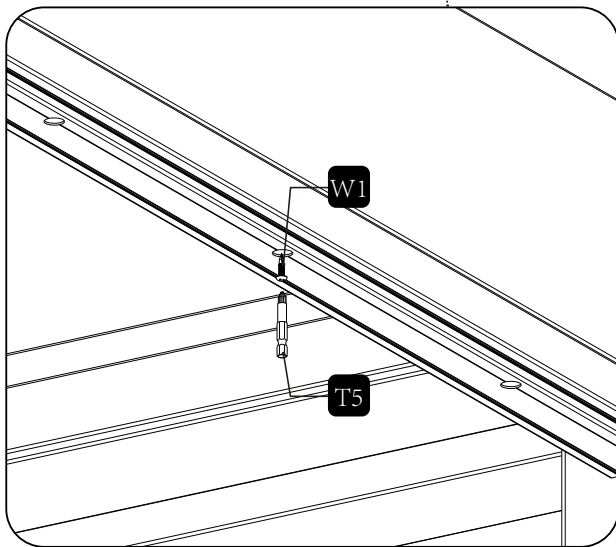


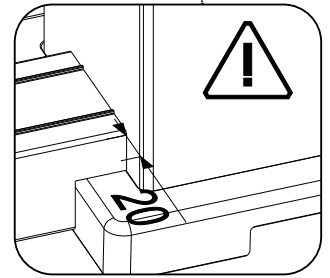
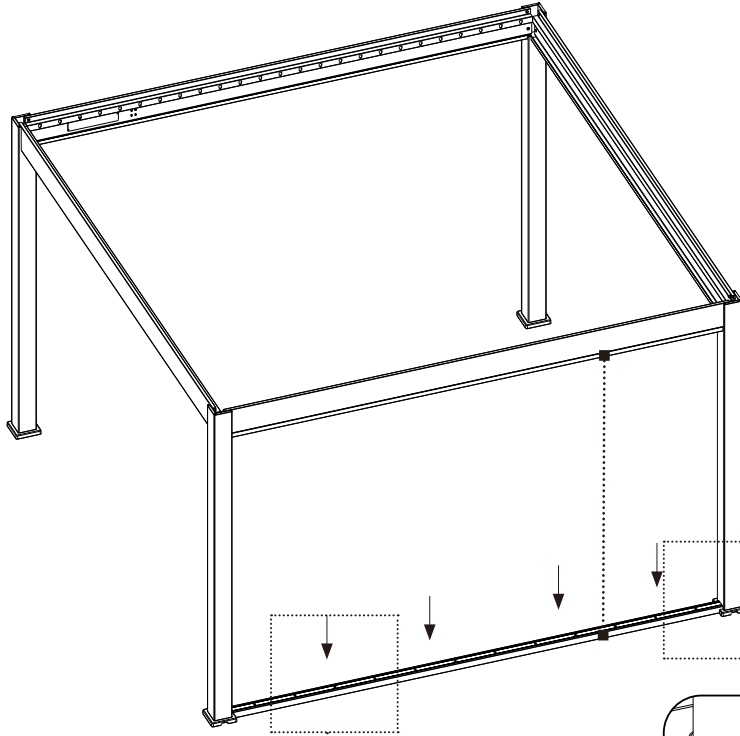
$$AX=BX$$





X4





X4

