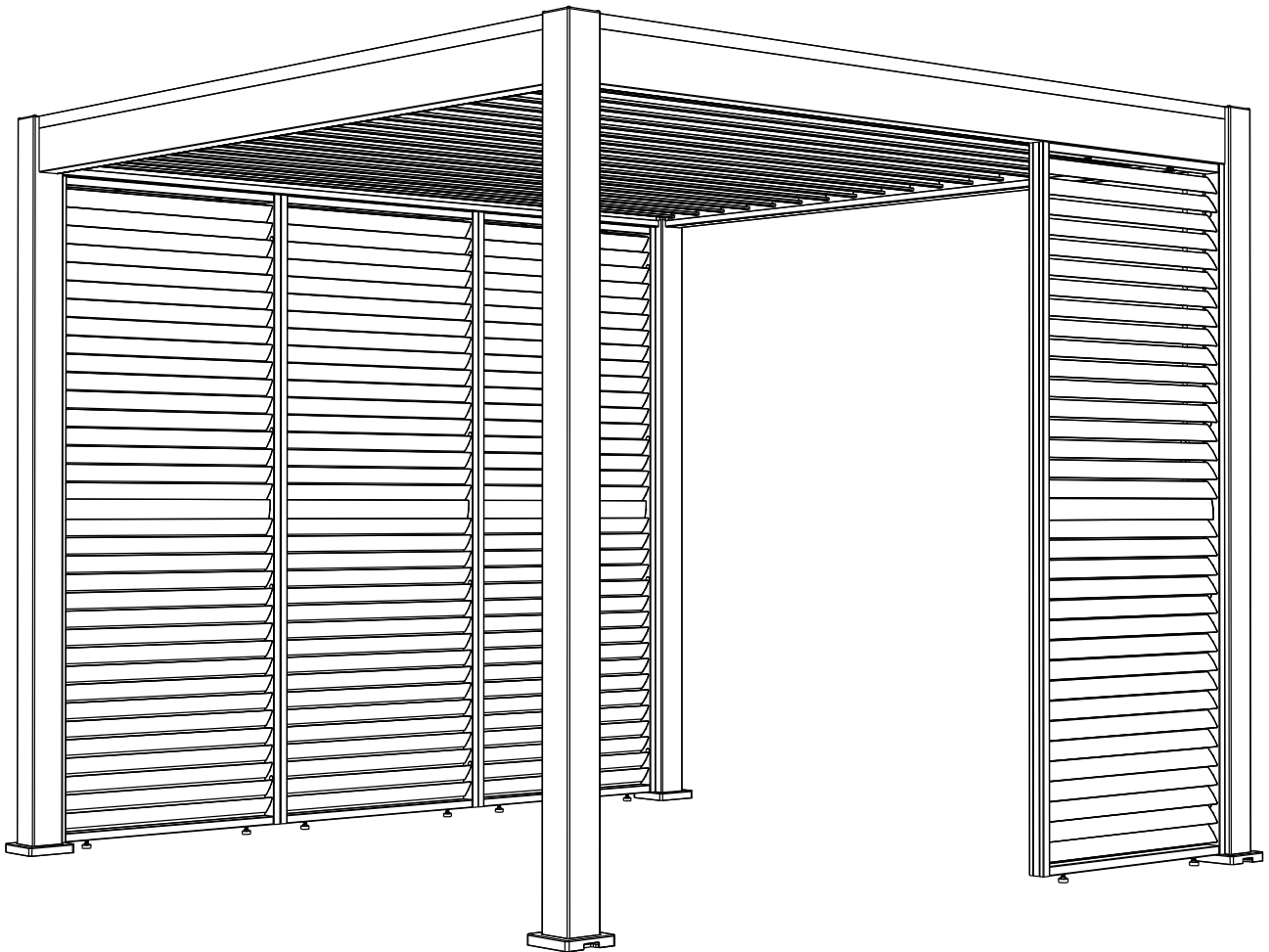




VENTARIS
MY HAPPY HOME
— www.ventaris.ch —



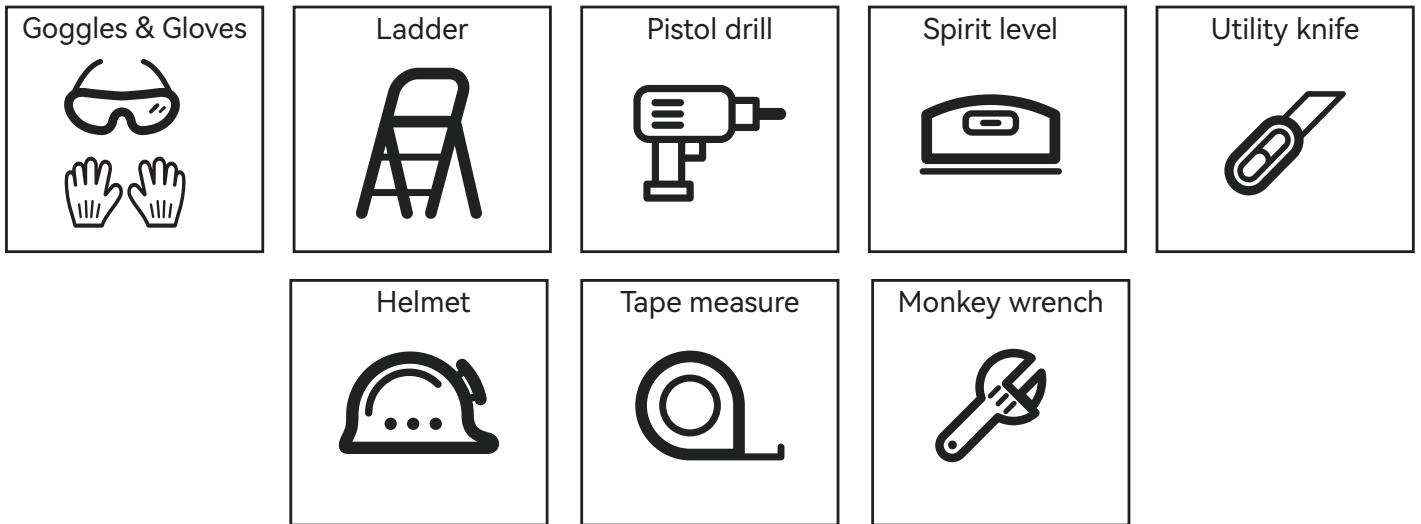
Rotatable Horizontal Privacy Panel

Assembly Instructions

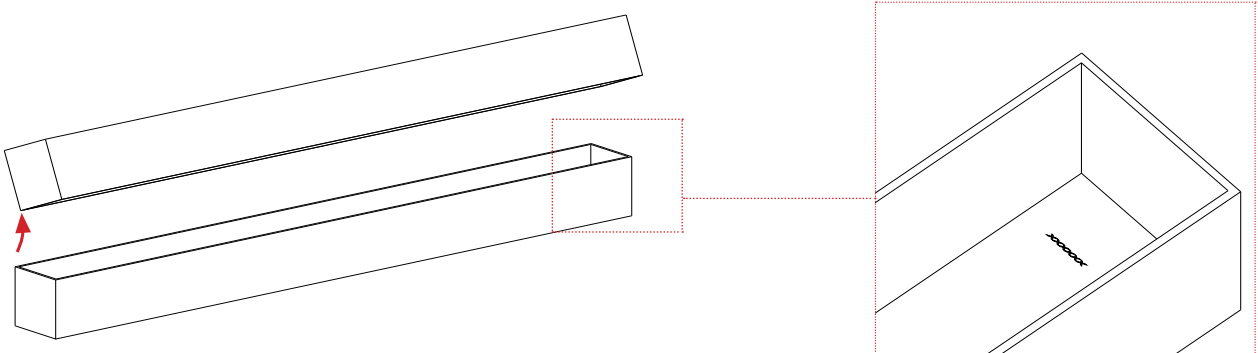
Rotatable Horizontal Privacy Panel

Please read the following instructions completely before you begin assembly. Any errors made during installation are not covered by the product's warranty. If you have any questions during the installation process, please call us .

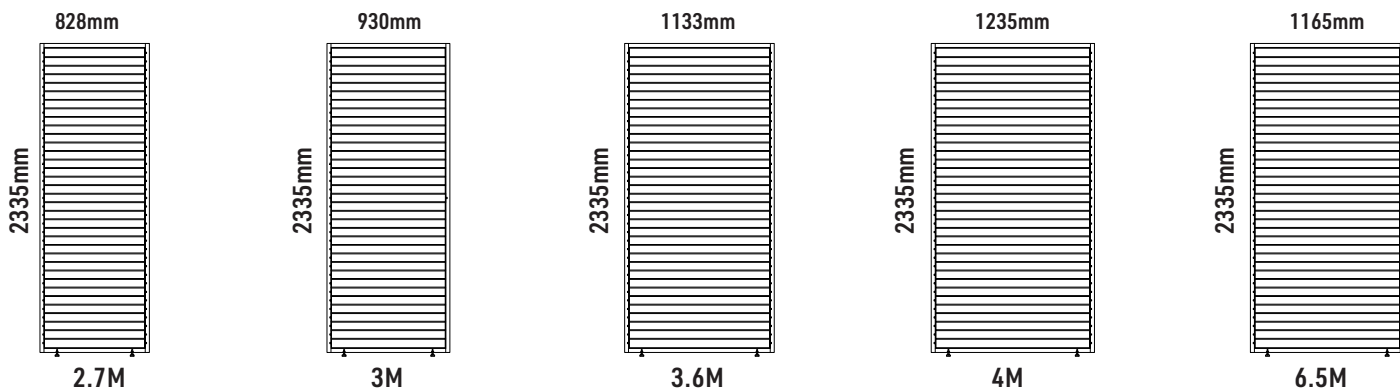
NECESSARY TOOLS AND SAFETY GEAR(NOT SUPPLIED)



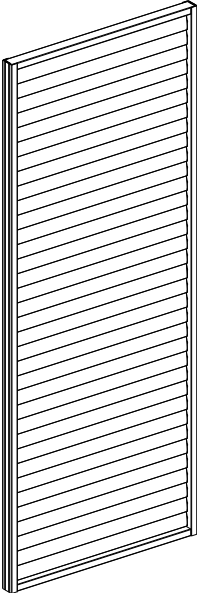
There is a Product Tracking Number in the inner side of the carton(see below diagram). For better and efficient after-sales in the future, when tear down the carton box, please take a photo of the Tracking Number and save the photo.







2D&3D FOOTING MEASUREMENT



CARTON 3M/3.6M/4.2M

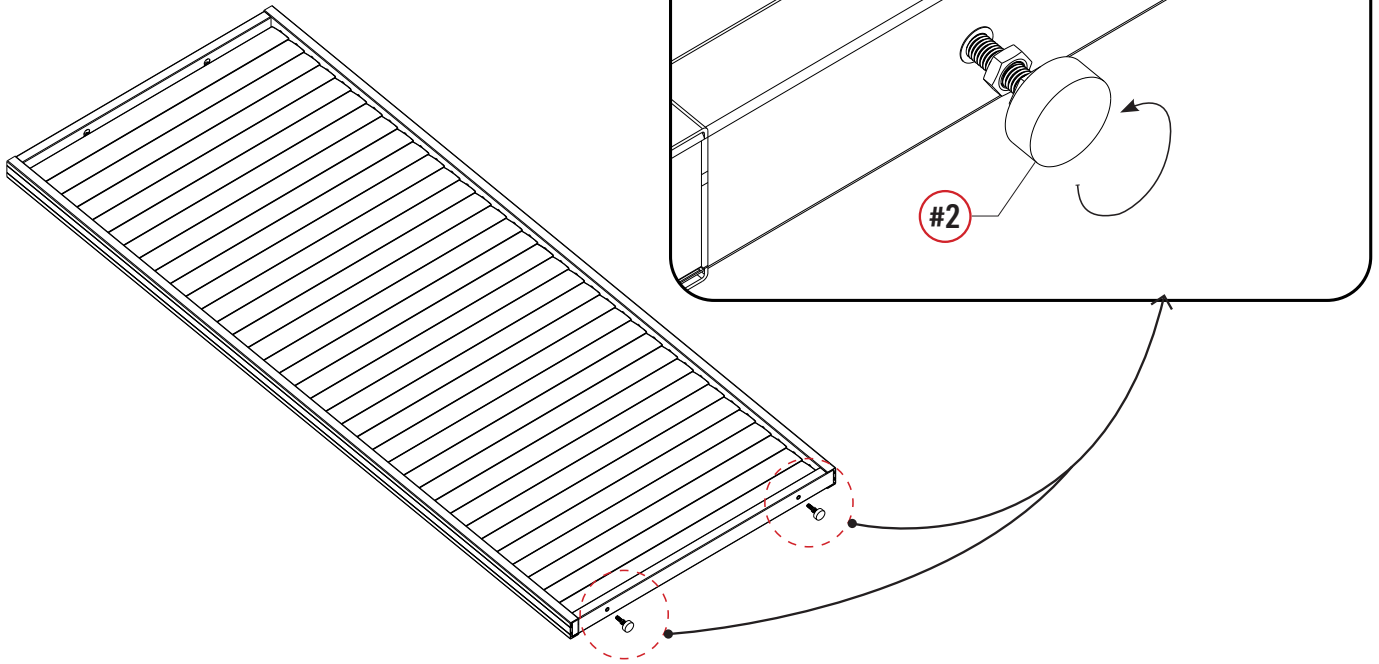
Reference	Parts	Quantity
A		1

Reference	Parts	Quantity
#1	 5×19 8mm	10
#2		2

Reference	Parts	Quantity
#3		10
#4		1

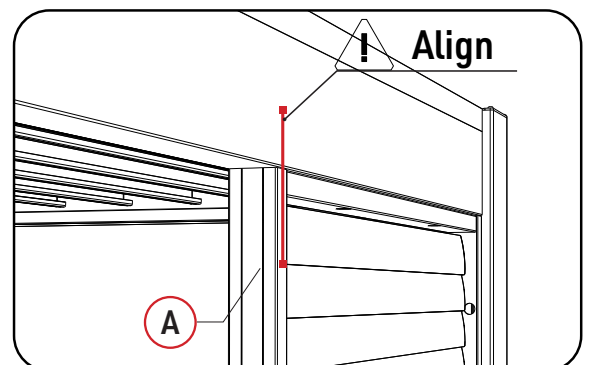
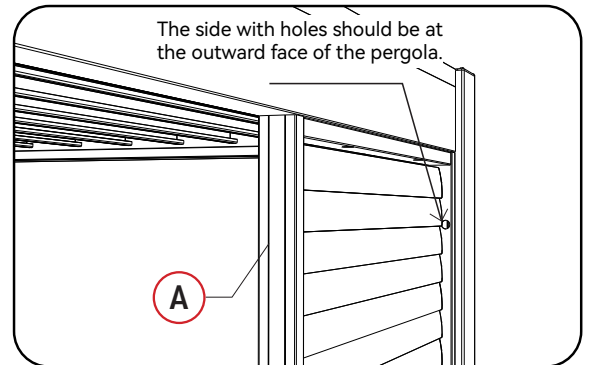
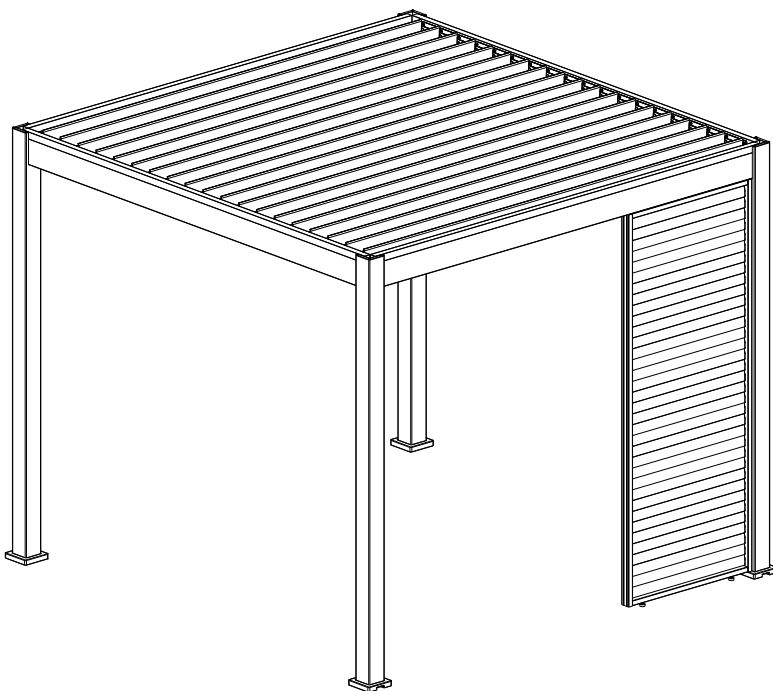
STEP 1

Install the adjustable base under the bottom frame of the privacy panel



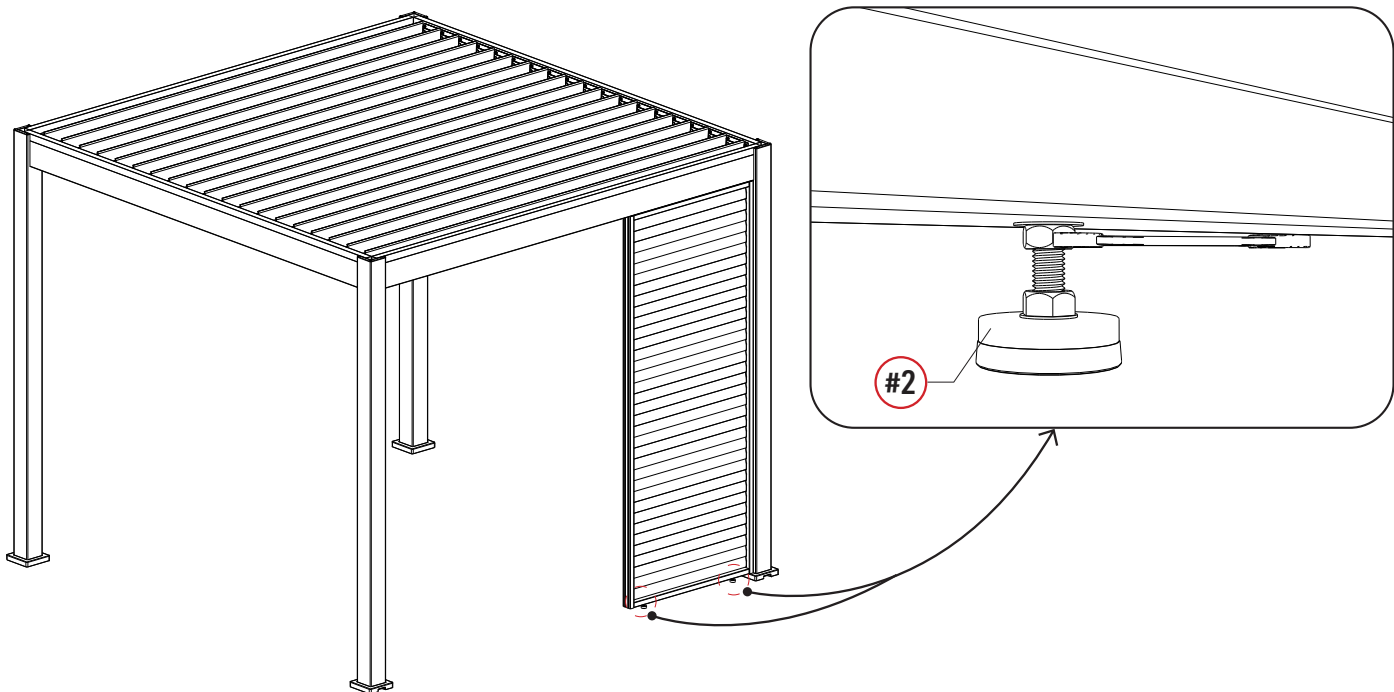
STEP 2

- Place the privacy panel under the pergola as the diagram shows below.
- There are holes on the side frame of the privacy panel, please note that the side with holes should be at the outward face of the pergola.
- Attention! The privacy panel should be aligned with the outer side of the beam.



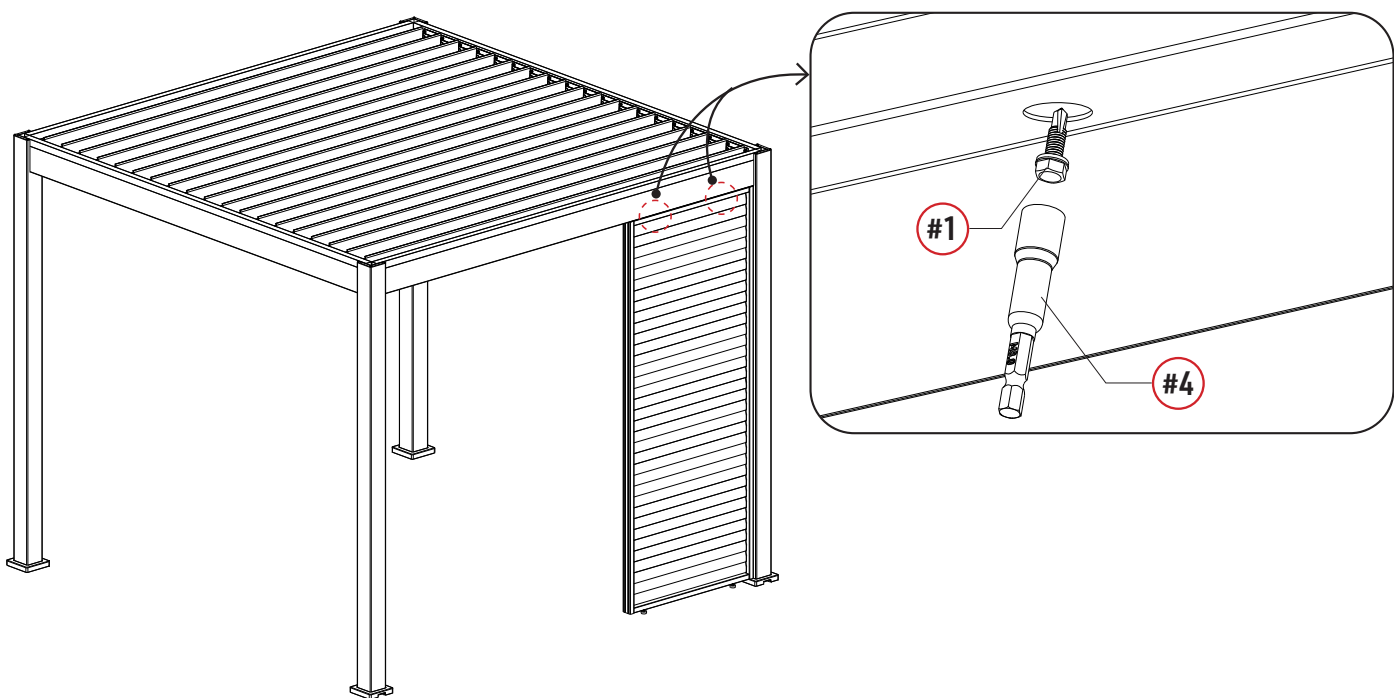
STEP 3

To fix the bottom of the privacy panel on the ground, please fasten the adjustable base with the wrench .



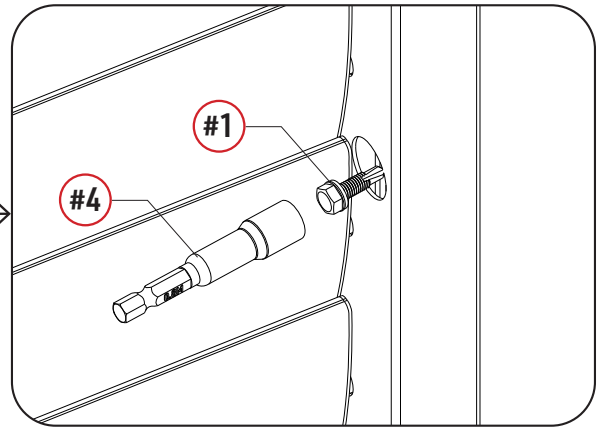
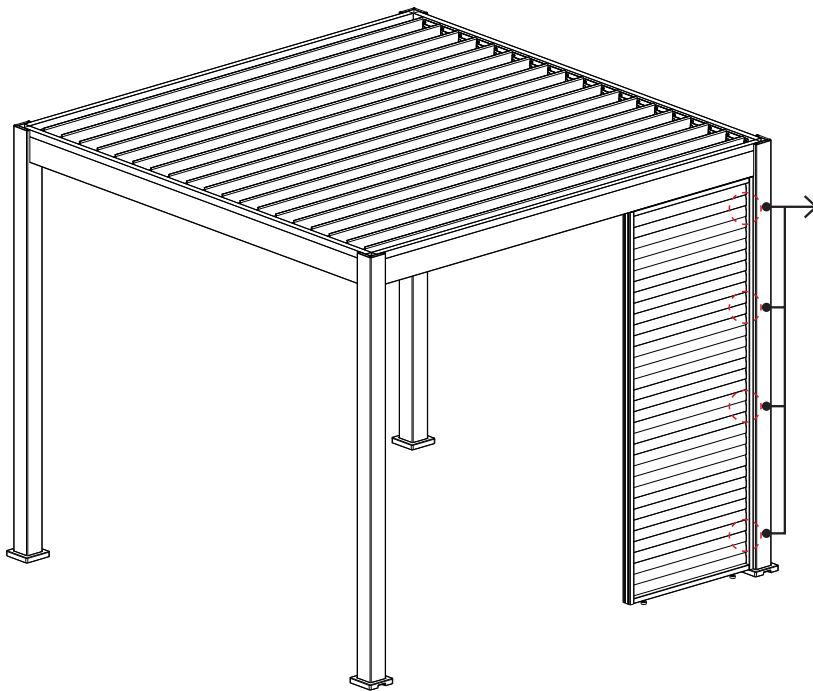
STEP 4

Fix the upper part of the privacy panel with the pergola by using supplied screws.



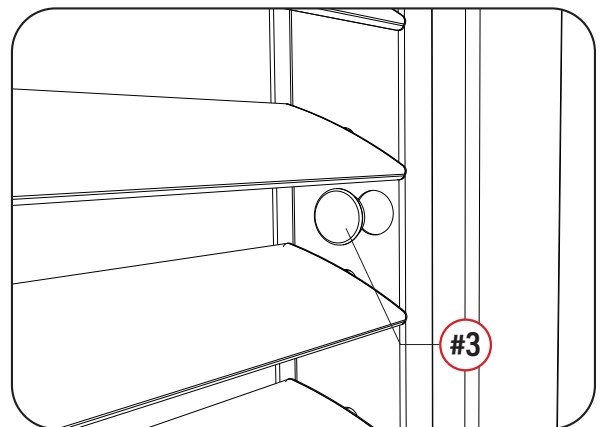
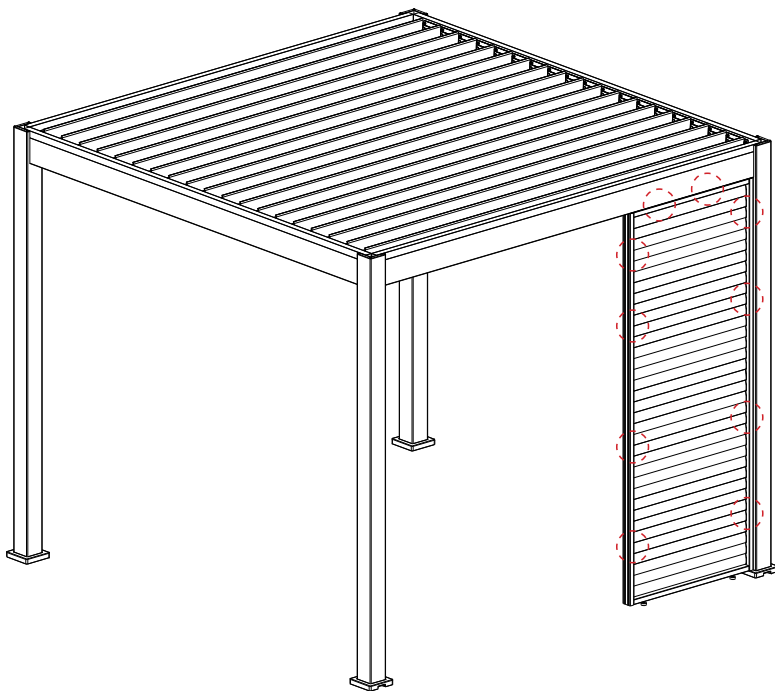
STEP 5

Fasten the side frame of the privacy panel by using supplied screws.



STEP 6

Cover the plastic cap over the holes on the privacy frame.



Install Two or More Privacy Panels

To install two or more privacy panels, please repeat the same installation steps as above.

