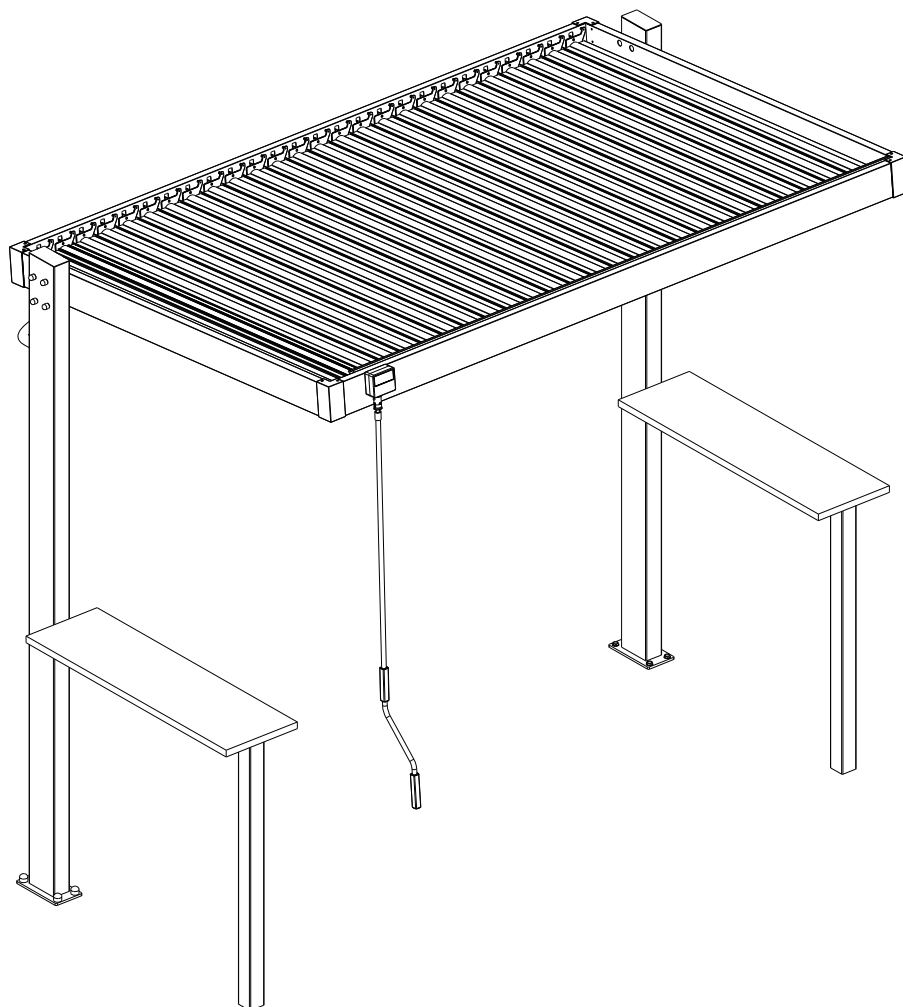




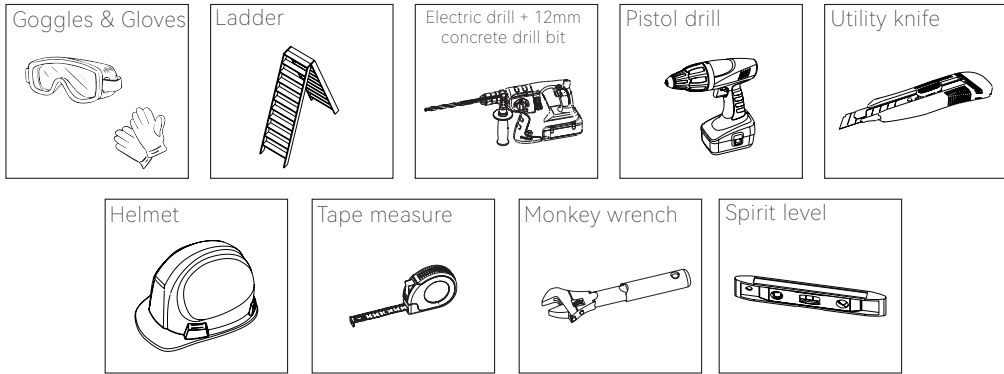
VENTARIS
MY HAPPY HOME
— www.ventaris.ch —



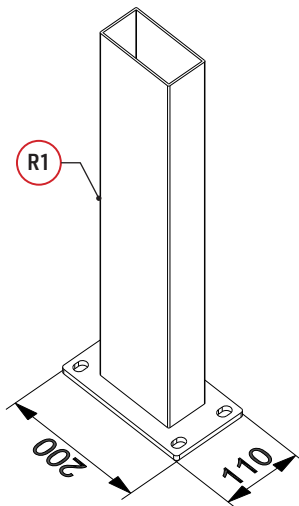
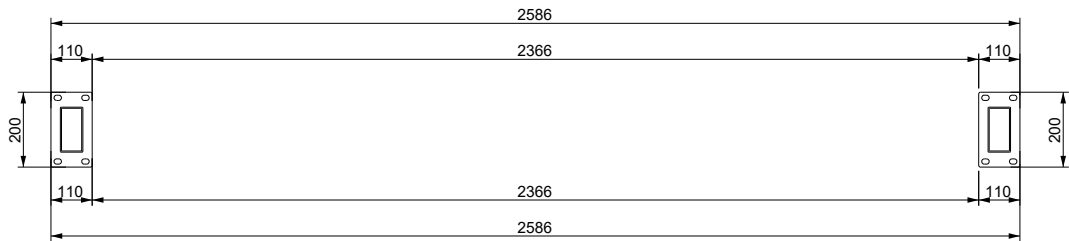
BBQ-2.5X1.6

Assembly Instructions

NECESSARY TOOLS AND SAFETY GEAR(NOT SUPPLIED)



2D FOOTING MEASUREMENT (dimensions in mm)



TIPS AND SAFETY INSTRUCTIONS

Depending on the location and surface area, construction may be subject to building permits. Make sure you have checked with your local authorities to obtain the needed information before the assembly.

Product assembly :

- At least 2/3 people required
- Remove protective film (around 1 hour needed)
- Do not keep children near the assembly area
- Beware of the risk of pinching
- Do not tighten the screws before assembling the whole product
- All assembly steps must be carefully followed
- Check the level of the structure on all sides
- Do not anchor the pergola before assembling the whole product

No changes can be made to the product. Products tampered with by the user are not covered by the warranty, thus being declared as void.

The location should be chosen carefully. It is recommended to avoid mounting your pergola on a rainy day, facing the prevailing winds, and under an overhanging tree.

The pergola must be mounted on a flat-level foundation. It is recommended to install it on a concrete slab or 25x25 cm concrete pads at each post. Please, anchor the pergola properly to the ground using expansion screw.

If you would like to mount your pergola near your house or a building, please check the presence of gutters for water drainage.

Should these instructions not be followed or only partially, the warranty will be voided by the seller.

MAINTENANCE

Regular maintenance is necessary to ensure its longevity and aesthetic appearance.

We recommend to :

- Clean your pergola once or twice a year with fresh water using a sponge or cloth.
- Do not use detergent or an abrasive material.
- Check the tightness of the screws regularly (at least once a year).
- Oil fastening regularly (at least once a year).
- Make sure that nothing hinders the water flow in the gutters (leaves, branches...).
- Remove any water that might stagnate around the legs of the pergola (lift the posts skirts).

WARRANTY

This warranty does not cover :

- Normal wear and tear inherent from the products.
- Loss or breakage of any part during unpacking or installation.
- Lack of care, neglect, vandalism, impact with foreign body, force, contact with a brasures material, product aesthetics, disassembly, rebuilding or relocation.
- Force majeure: hail, high winds, storms, snow, floods, lightning etc...
- Product tampered with by the user.

The warranty only takes in account the replacement of spare parts or the provided product, no refund will be issued.

All warranty claims must be made at the sales outlet (store or website) where the product has been purchased.

PARTS LISTS (PER CARTON)

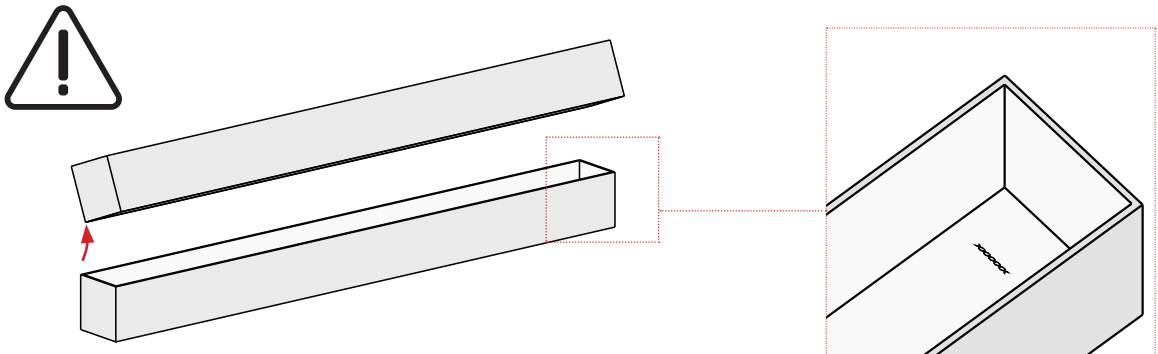
Before proceeding with the assembly of your louvered pergola, it is necessary to check that all parts listed are supplied and not damaged.

Any missing part must be reported within 10 days of delivery.


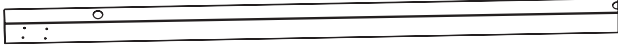

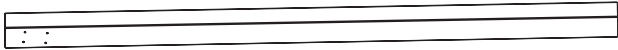
You can either go through your local outlet store or make the request directly on our website.


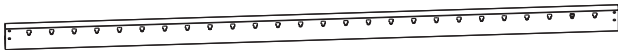






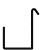




Do not discard the packaging without ensuring that the product is functioning properly.


There is a Product Tracking Number in the inner side of the carton(see below diagram). For better and efficient after-sales in the future, when tear down the carton box, please take a photo of the Tracking Number and save the photo.



CARTON

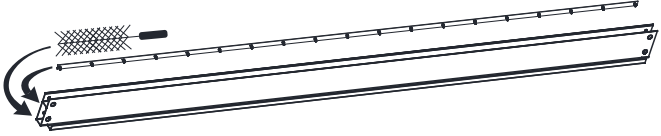
No.	Profile	Diagram	Size	QTY
A1			66X126 L=2300mm	1
A2			66X126 L=2300mm	1





No.	Profile	Diagram	Size	QTY
B1			30X120 L=2410mm	1
B2			30X120 L=2410mm	1
C1			30X120 L=1540mm	1
C2			30X120 L=1540mm	1
C3			47X31.4 L=2349mm	1
F1			8X27 L=2251mm	1
H1			L=1000mm	1





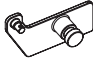
ATTENTION!








Connecting Bar(F1) & Brush Inside!






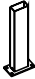
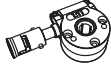

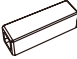

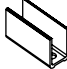

No.	Profile	Diagram	Size	QTY
G1			98X1.2 L=1505mm	1
G2			98X1.2 L=1505mm	25


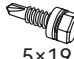

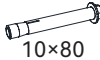


CARTON

No.	Diagram	QTY
K1		1
K2		25
K3		26

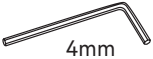

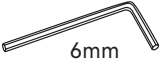
No.	Diagram	QTY
P1		4
P2		1
P3		1
P4		8
P5		8
P6		8
P7		52





No.	Diagram	QTY
T1		16
T2		8
T3	 lock nut	8

No.	Diagram	QTY
R1		2
R2		1
R3		1
R4		1
R5		26
R6		4
R7		2




No.	Diagram	QTY
S1	 4x16 PH2	18
S2	 5x19 8mm	20
S3	 6x45 4mm	3
S4	 10x80	8
S5	 8x80	8
S6	 6x16 4mm	8

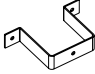

CARTON






No.	Diagram	QTY
Z3	 4mm	1
Z4	 4mm	1
Z5	 6mm	1

No.	Diagram	QTY
Z6	 6mm	1
Z7	 10mm	1
Z8	 PH2	1
Z9	 8mm	1

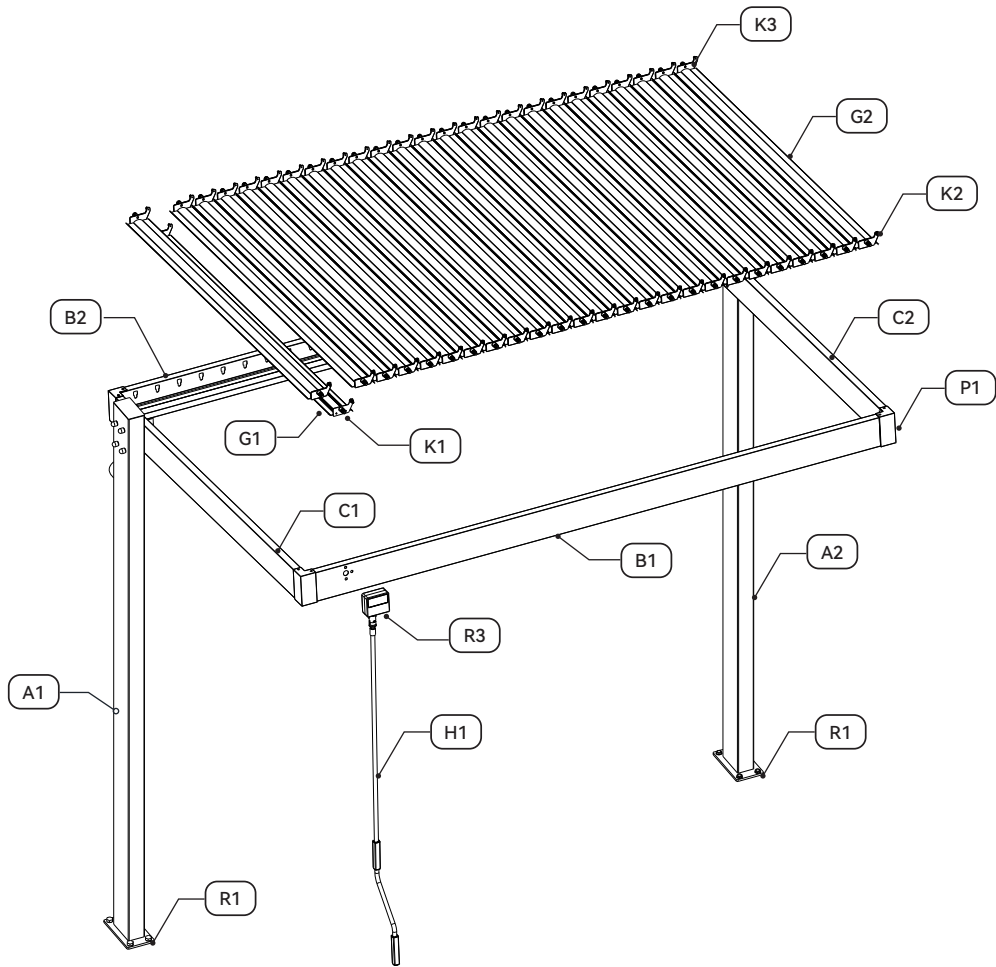
CARTON

No.	Profile	Diagram	Size	QTY
A3			60X60 L=1000mm	2
E1			1000X296	2

No.	Diagram	QTY
R8		2
R9		2

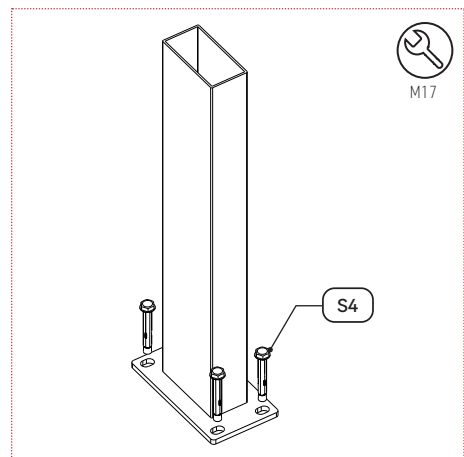
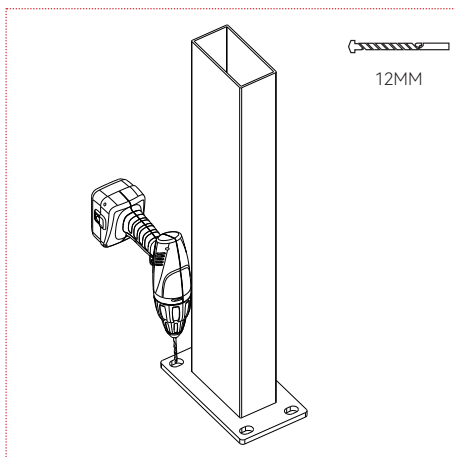
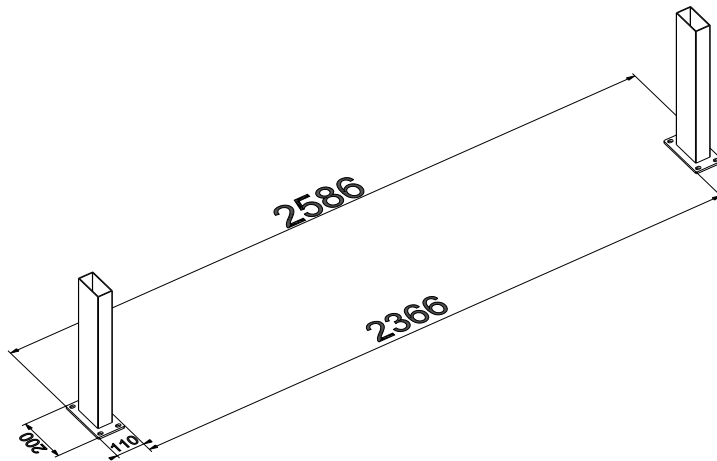
No.	Diagram	QTY
S2	 5×19	 8mm 12
S7	 5×32	 8mm 4
S8	 8×100	4



ASSEMBLING DIAGRAM





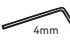

No.	Diagram	QTY	No.	Diagram	QTY
R1		2	S4		8

- Before installation, please first ensure the foundation is level and even.
- Place the 2 steel holders according to the dimensions shown in the diagram.
- Please use the screw bit of 12mm to drill holes in the ground, then fix the steel holders with expansion bolts and fasten them with the M17 spanner.

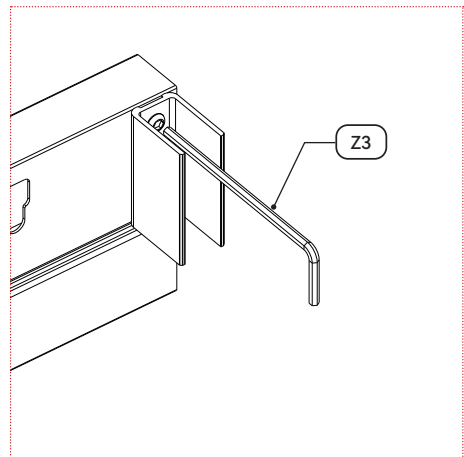
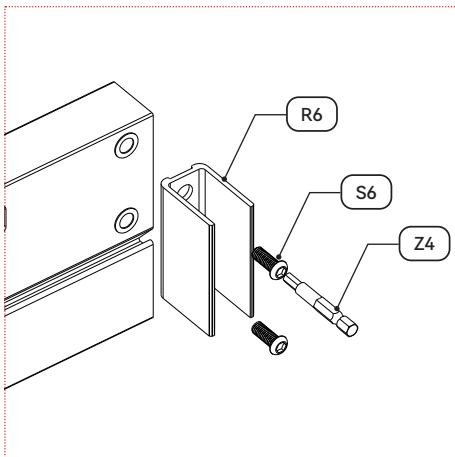
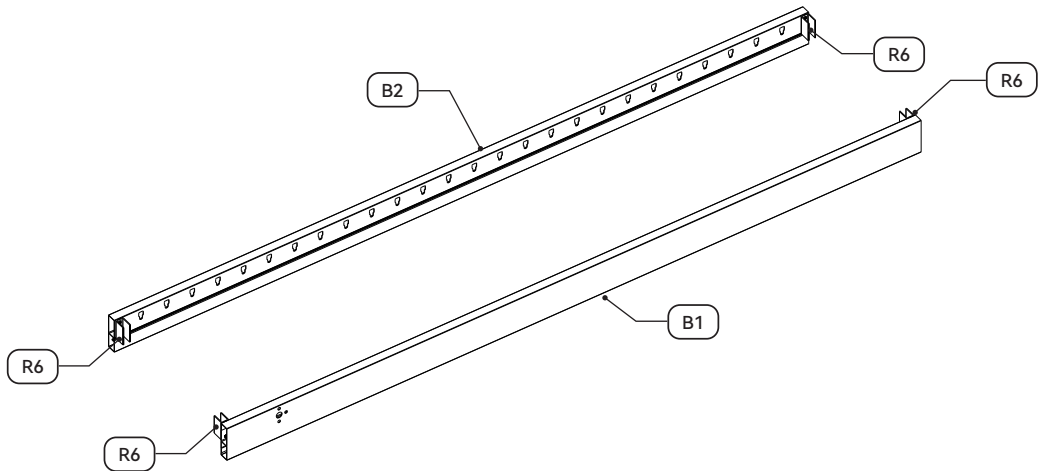




No.	Diagram	QTY
B1		1
B2		1






No.	Diagram	QTY
R6		4
S6		8

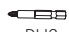

No.	Diagram	QTY
Z3		1
Z4		1

Fix the U profile on the 2 ends of the each beam as the diagram shows.

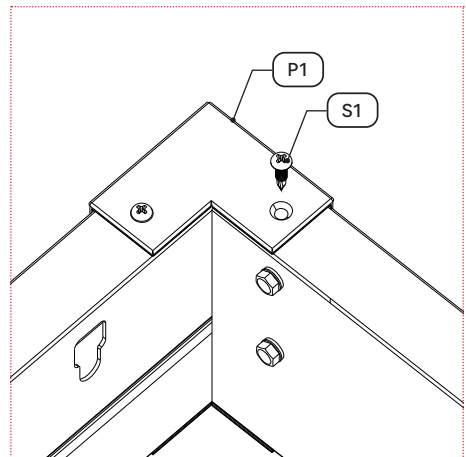
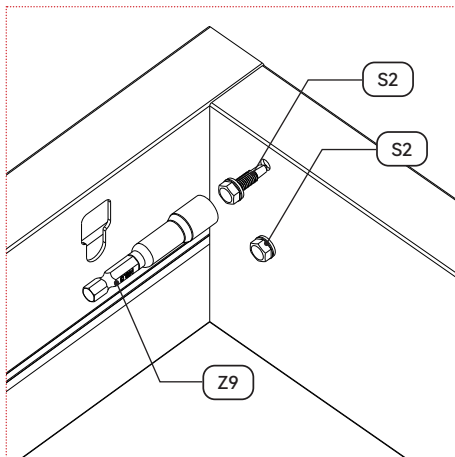
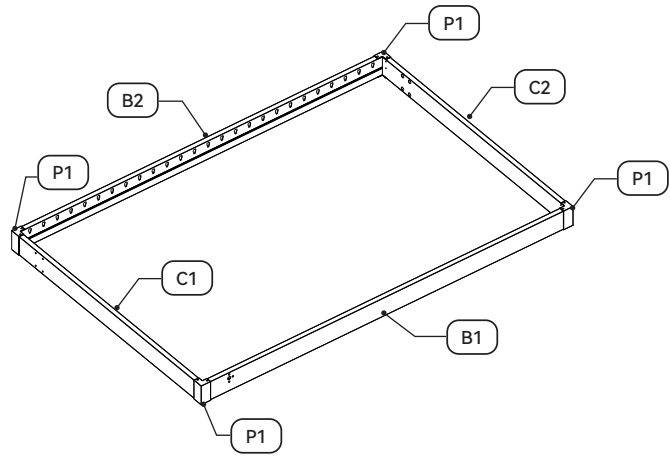
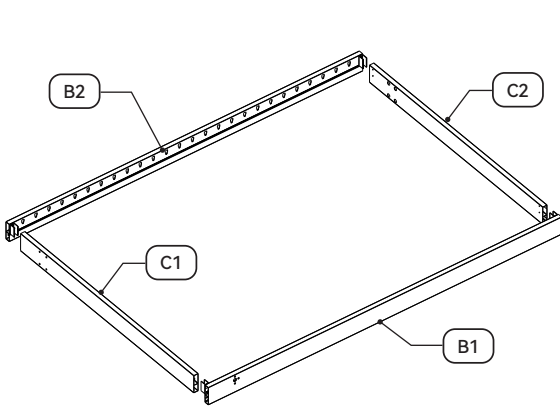




No.	Diagram	QTY
C1		1
C2		1


No.	Diagram	QTY
S2	 	8
S1	 	16
P1		4





No.	Diagram	QTY
Z8		1
Z9		1



Connect the roof beam with the 4 plastic connectors, and then fix the plastic parts on the beam with screws.




No.	Diagram	QTY
A1		1
A2		1

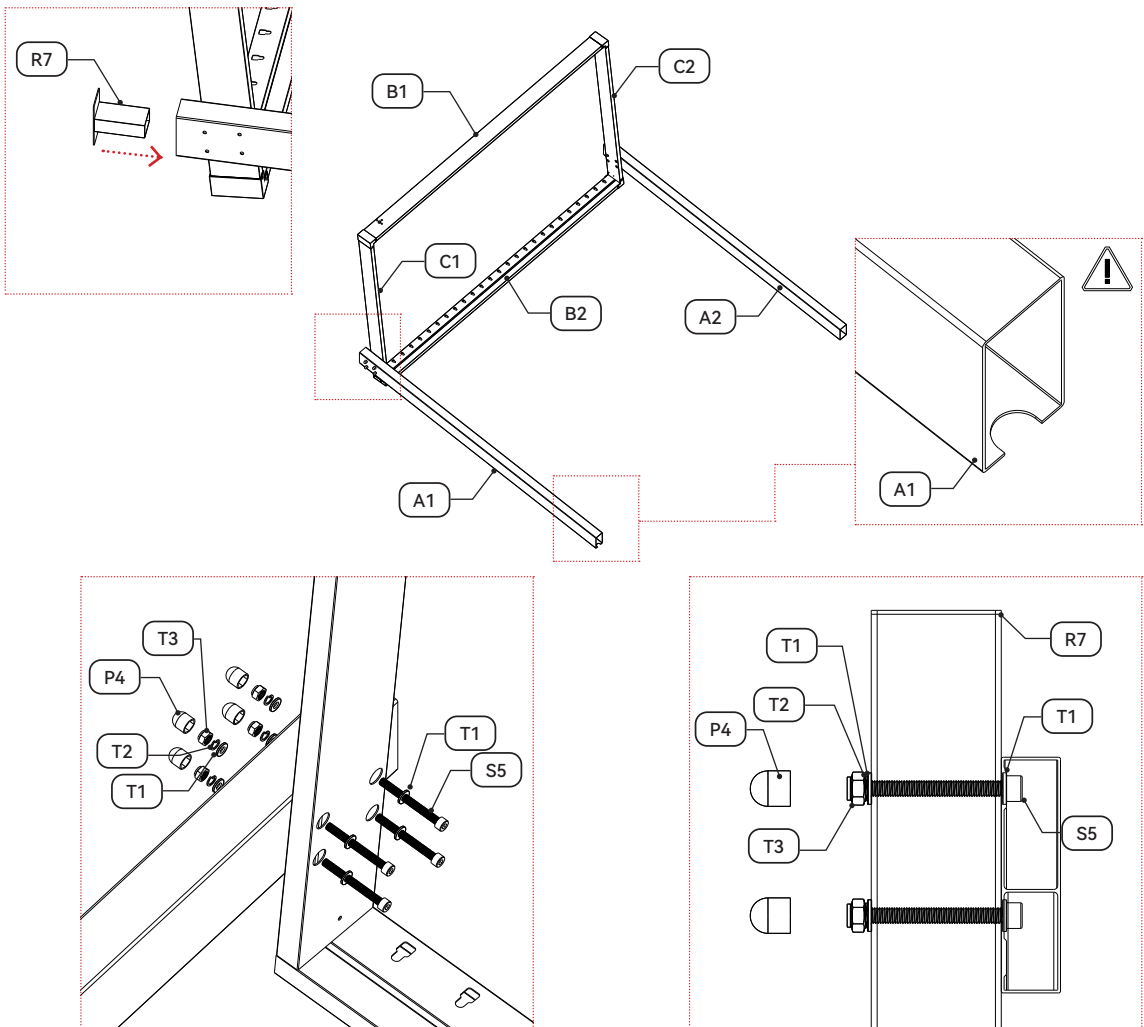
No.	Diagram	QTY
P4		8



No.	Diagram	QTY
S5		8
T1		16
T2		8
T3		8


No.	Diagram	QTY
Z5		1
Z6		1

No.	Diagram	QTY
R7		2

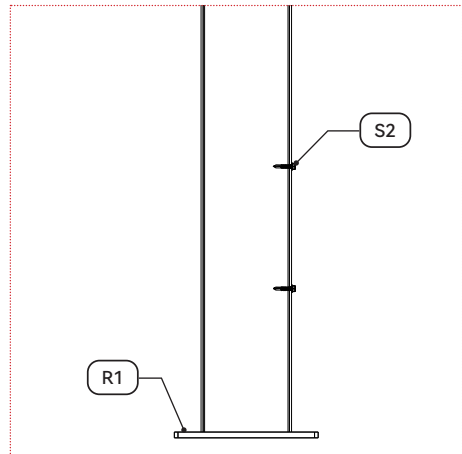
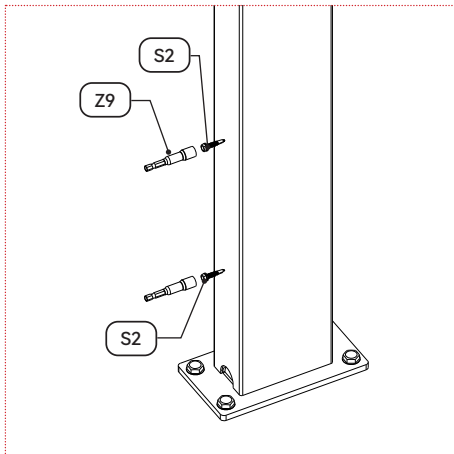
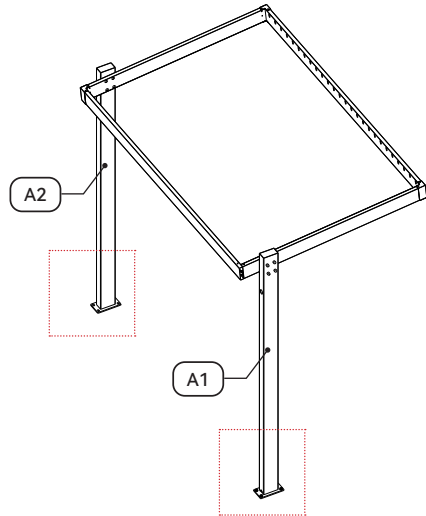
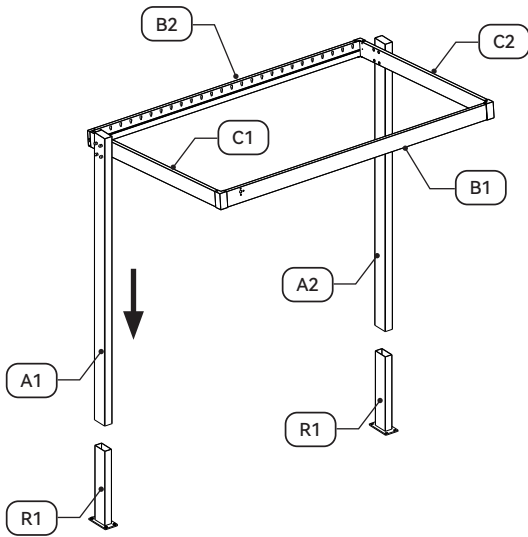
- Straighten the roof beam frame as the diagram shows.
- Install the 2 posts on the two sides of the roof beam frame and fix them with screws provided.
- Attention! Please note that the semilunar notch direction should be as shown in the diagram.



No.	Diagram	QTY
S2	 	4

No.	Diagram	QTY
Z9		1

- Insert the steel holders into the post of the assembled structure.
- Fix the steel holder on the back of the posts.

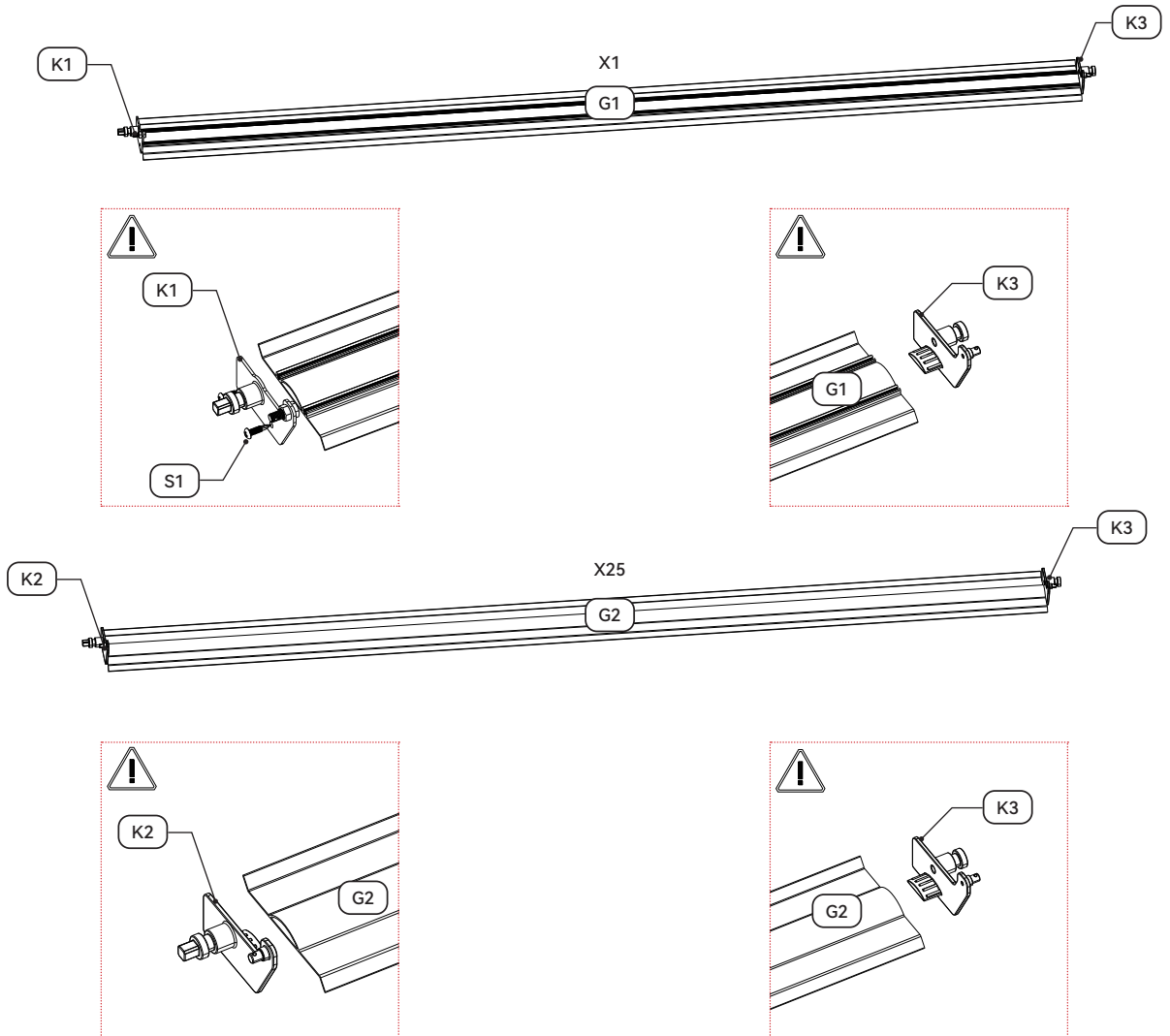


No.	Diagram	QTY
G1		1
G2		25

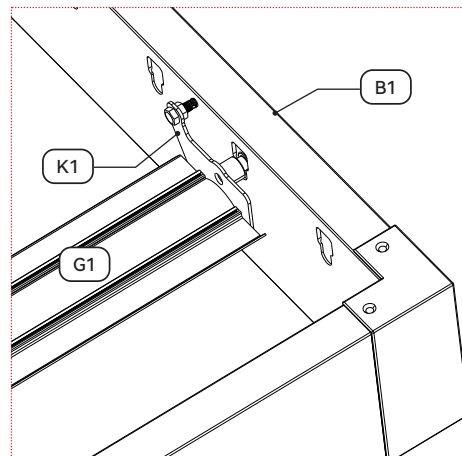
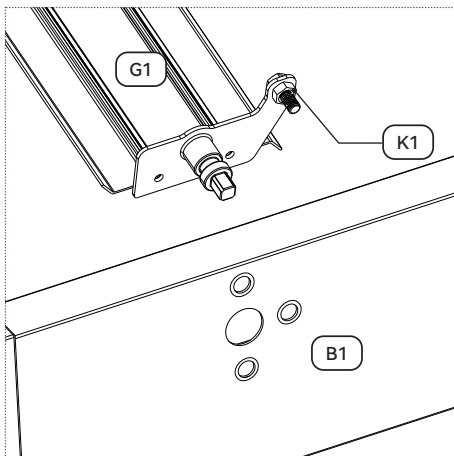
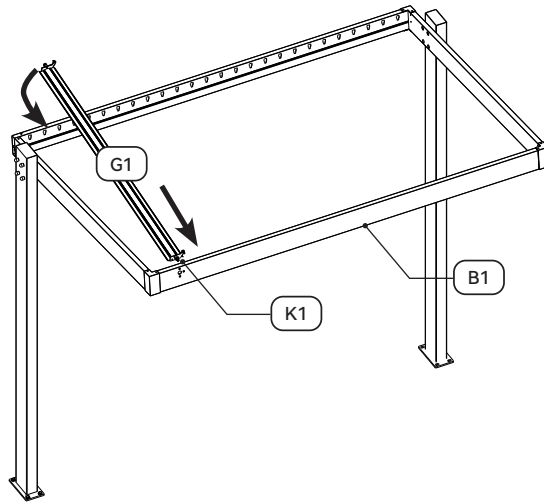
No.	Diagram	QTY
K1		1
K2		25
K3		26
S1		2

No.	Diagram	QTY
Z8		1
Z9		1

Assemble the end caps on the louvers in line with the diagram shows.



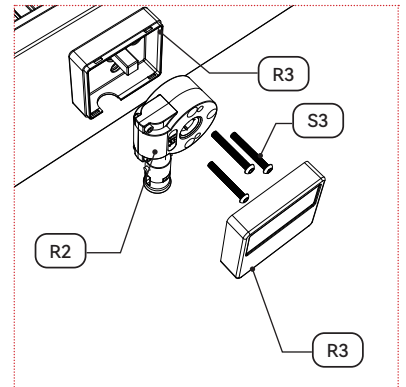
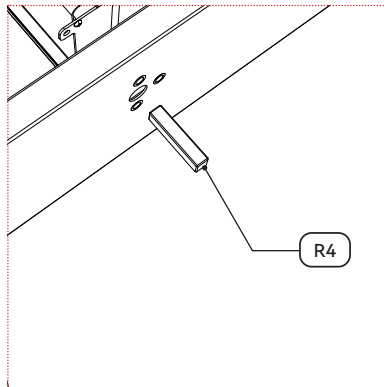
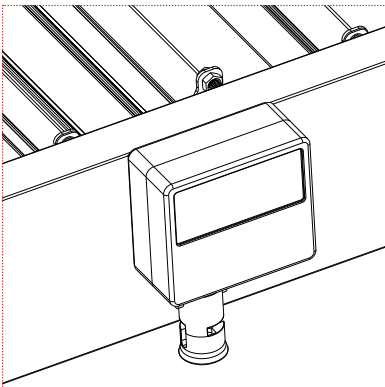
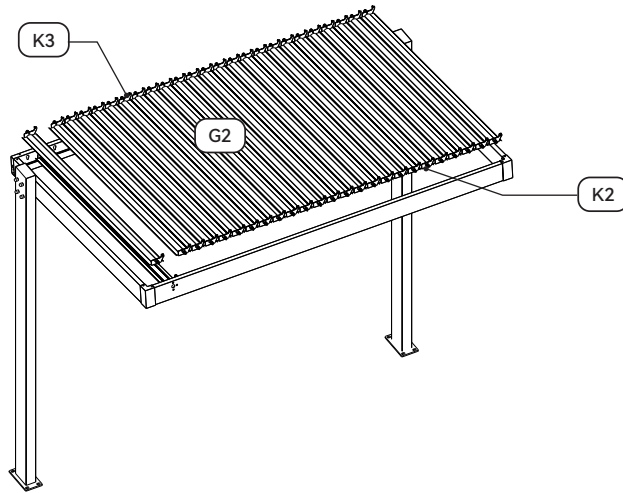
Assemble the master louvre(G1), please note to install one end of it and then connect the other end.





No.	Diagram	QTY
R2		1
R3		1
R4		1
S3		3

No.	Diagram	QTY
Z3		1
Z4		1

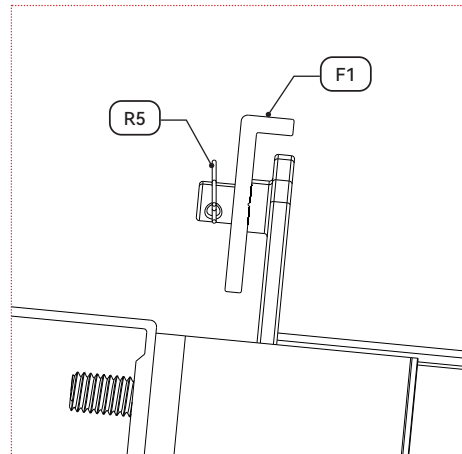
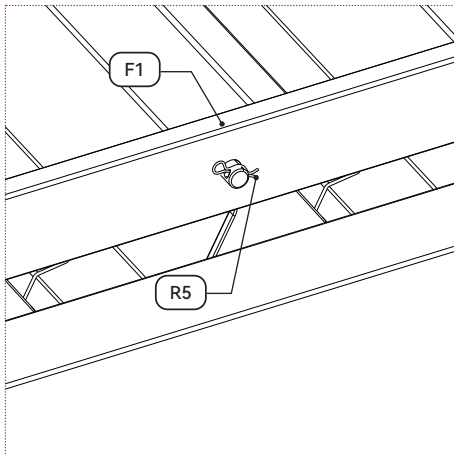
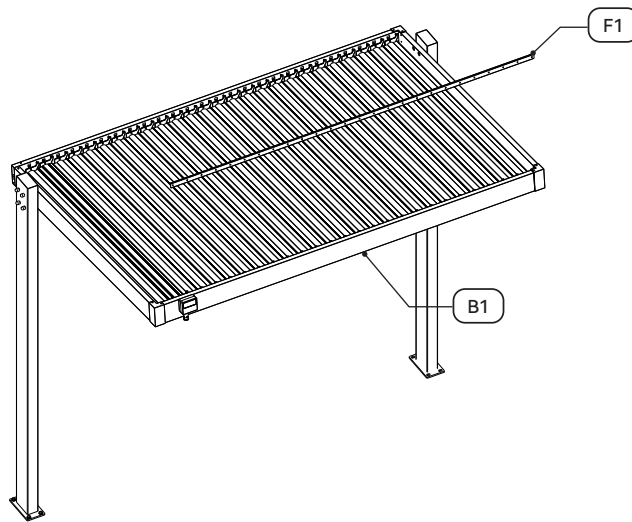
Assemble the rest louvres(G2) and the gear box.





No.	Diagram	QTY
F1		1

No.	Diagram	QTY
R5		26

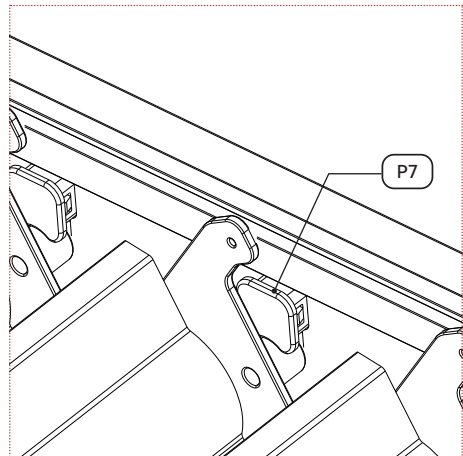
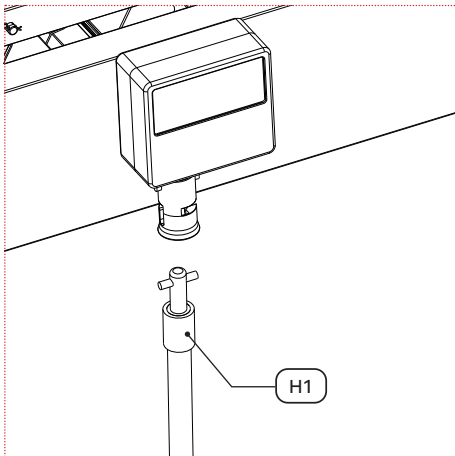
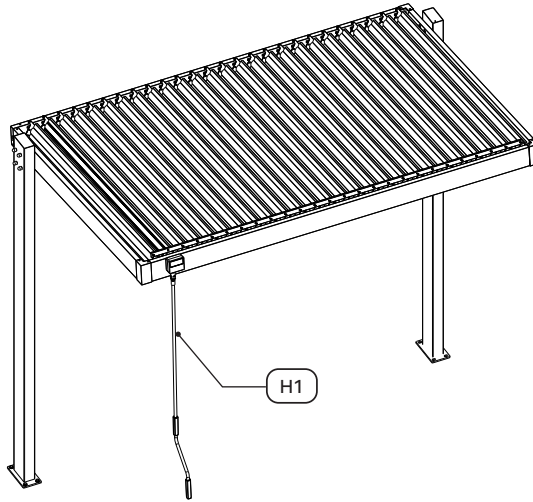
Install the connecting bar(F1) and then fix it with the R clips.




No.	Diagram	QTY
H1		1

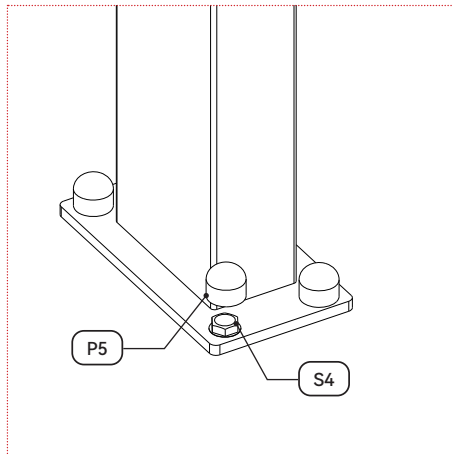
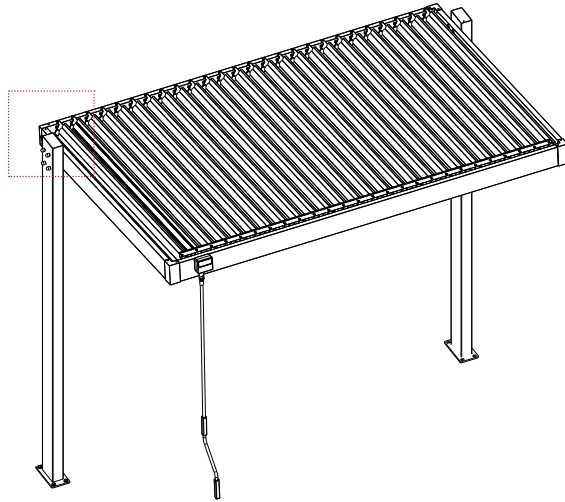
No.	Diagram	QTY
P7		26


Install the crank and those plastic caps on the beam.





No.	Diagram	QTY
P5		8

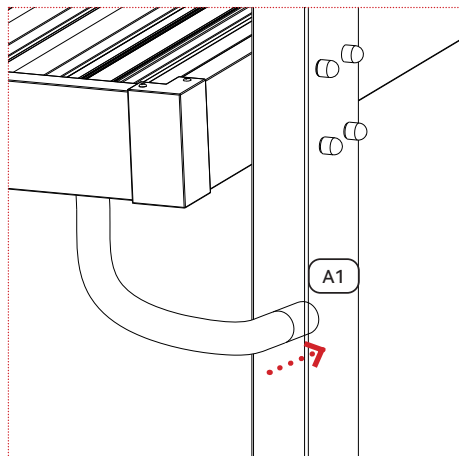
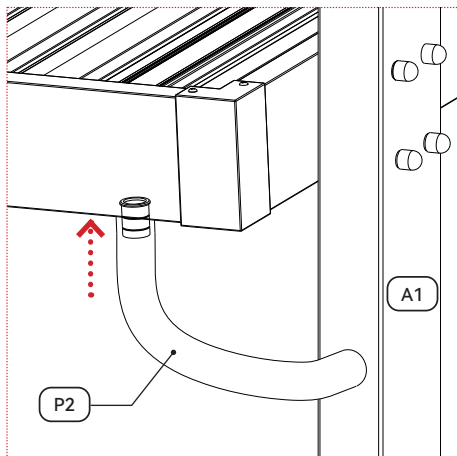
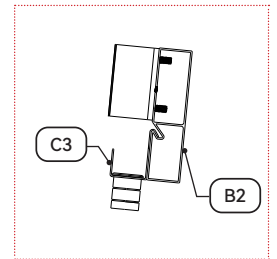
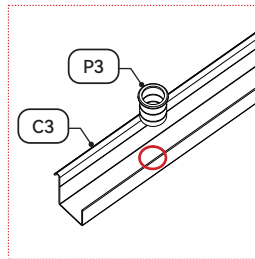
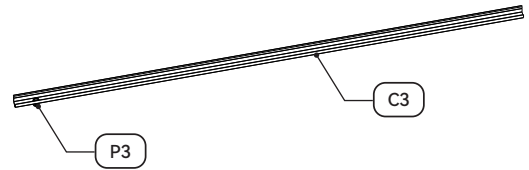
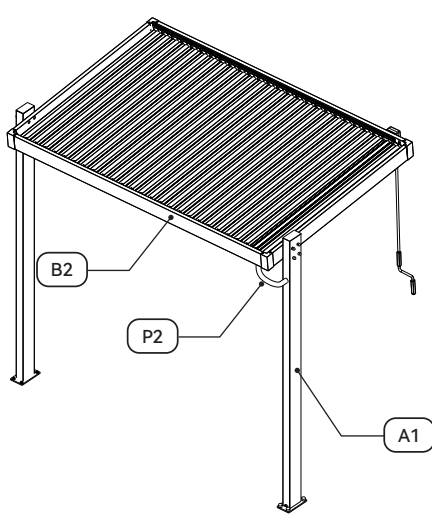
Install corresponding caps for the posts and the bolts on the steel holders.



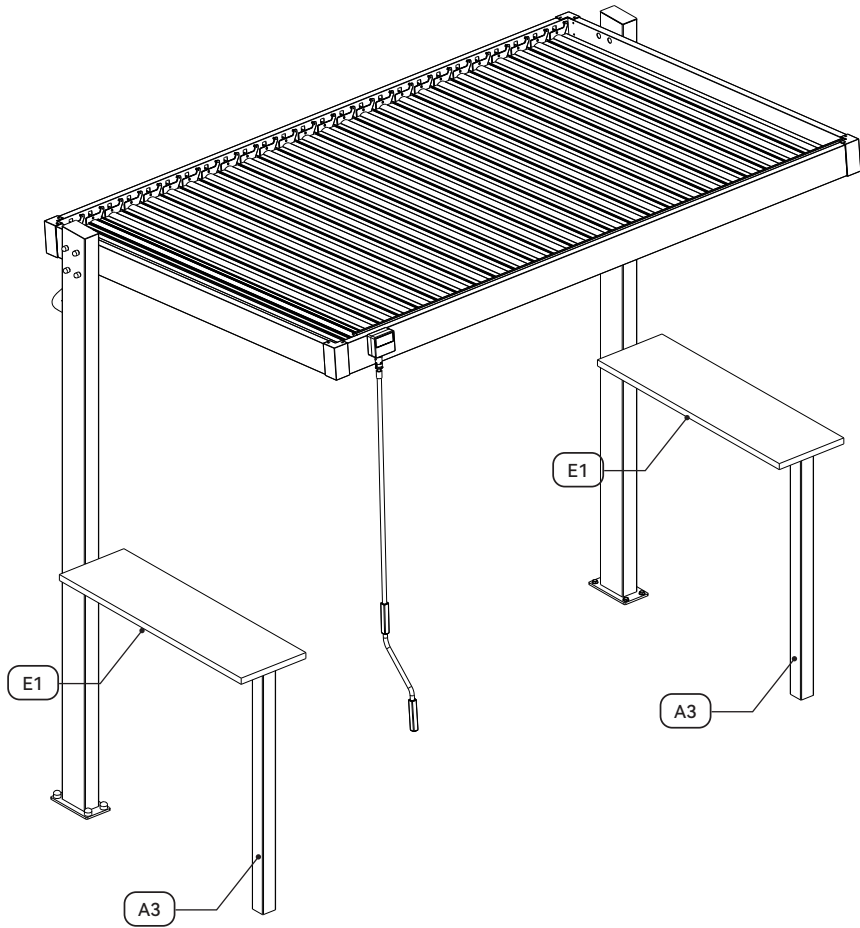
No.	Diagram	QTY
C3		1

No.	Diagram	QTY
P2		1
P3		1

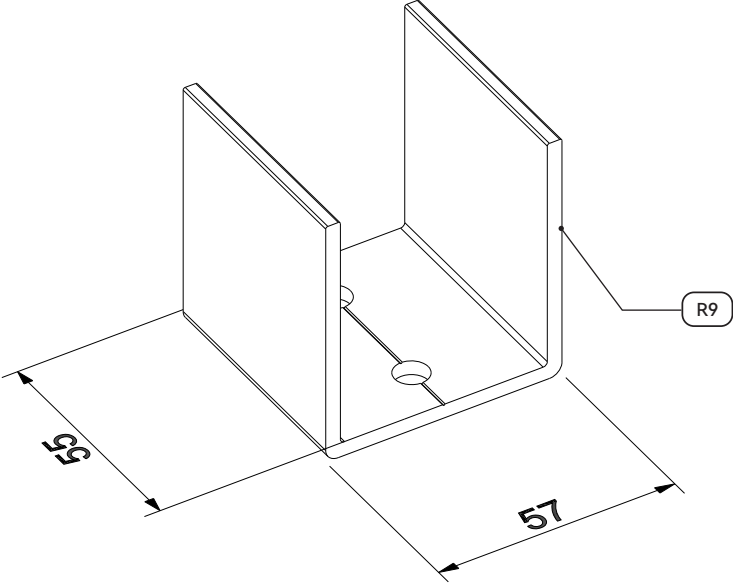
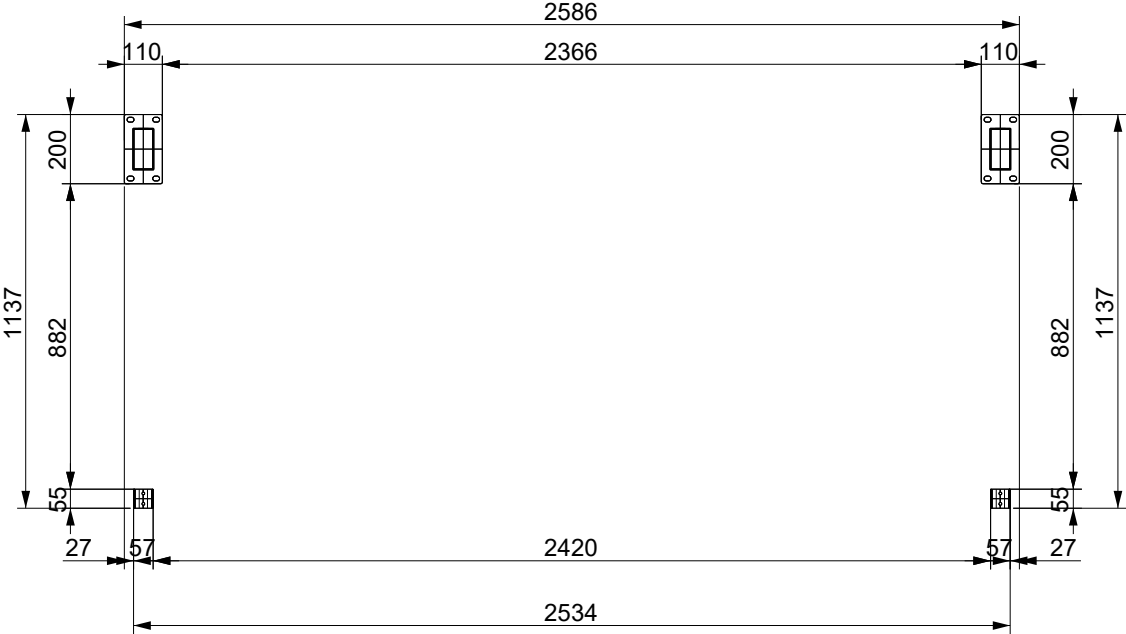
- Insert the plastic outlet into the gutter(C3) and then glue the outlet for fixation.
- Insert the gutter into the groove of the roof beam(B2).
- Assemble the rubber hose and insert it into the round hole of A1 as the diagram shows.




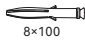
ASSEMBLING DIAGRAM



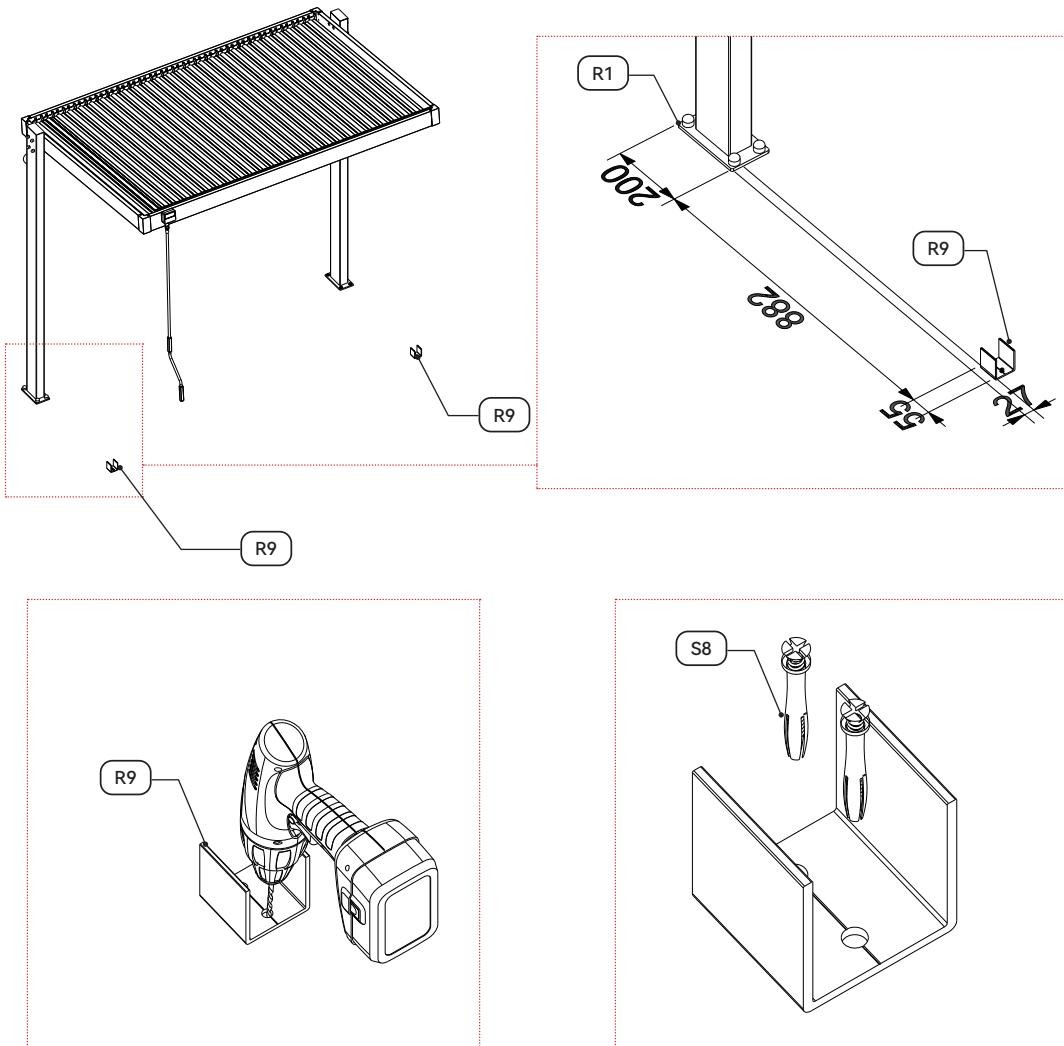
2D FOOTING MEASUREMENT (dimensions in mm)







No.	Diagram	QTY
R9		2


No.	Diagram	QTY
S8	 8x100	4

- Remark the position of the U profile connectors as the dimension shown in the diagram.
- Drill holes with the 8mm screw bit and then fasten the connectors with expansion bolts.

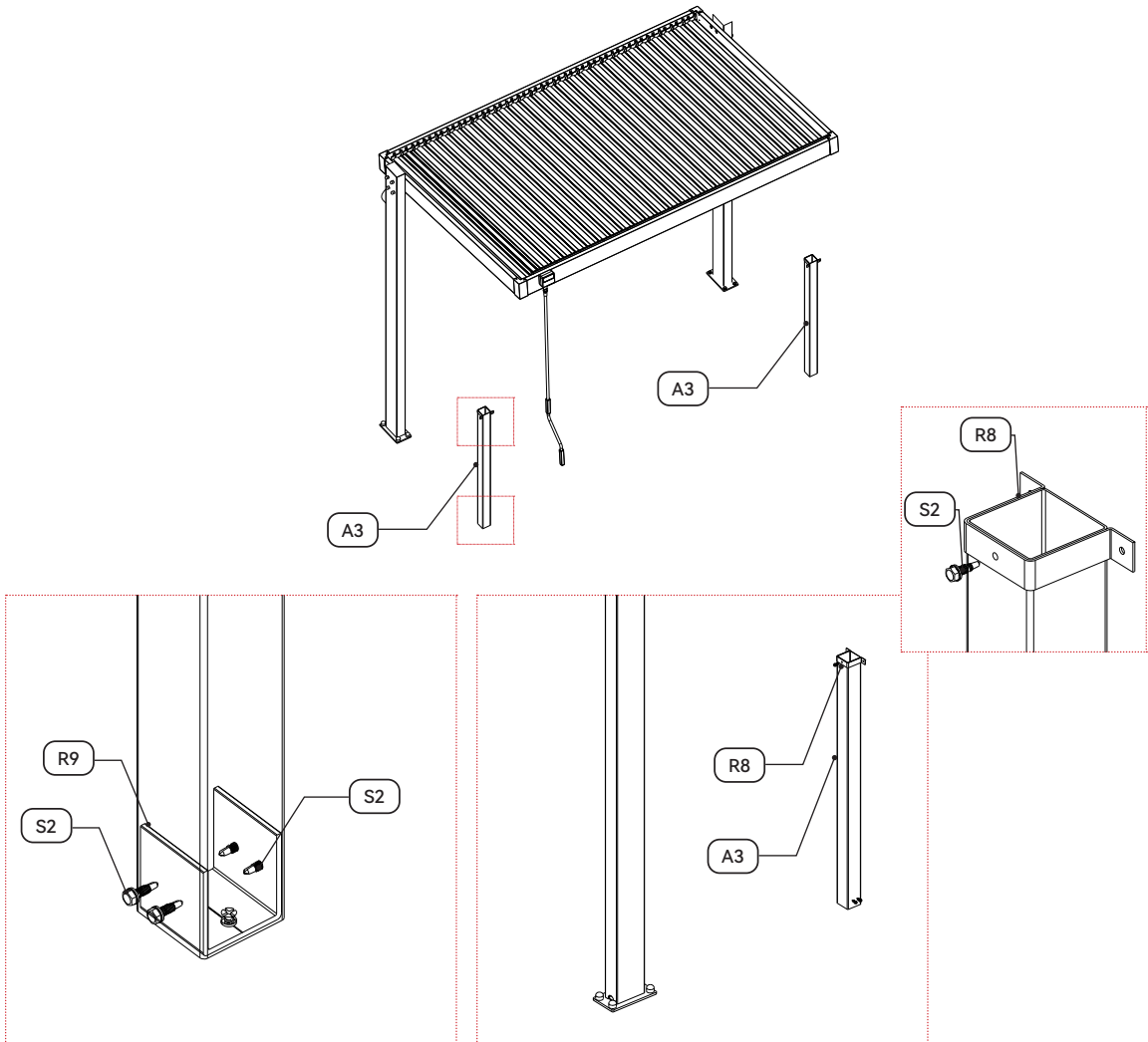



No.	Diagram	QTY
A3		2



No.	Diagram	QTY
S2		8
R8		2
R9		2


No.	Diagram	QTY
Z9		1

- Fix the table board supporter with the U profiles on the ground with provided screws.
- Install the U brackets on the upper of the supporters.



No.	Diagram	QTY
E1		2

No.	Diagram	QTY
S2		4
S7		4

No.	Diagram	QTY
Z9		1

Fix the table board as the diagram shows.

